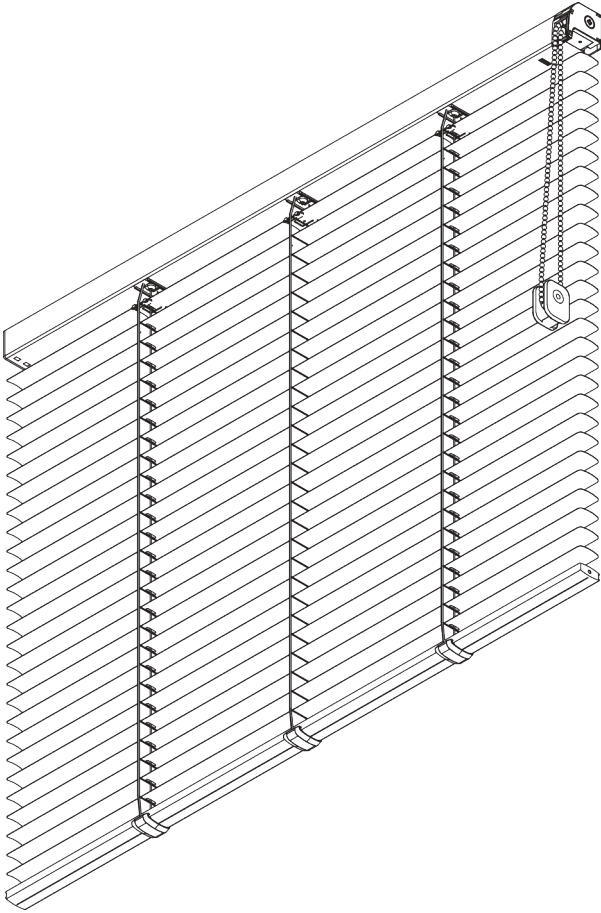
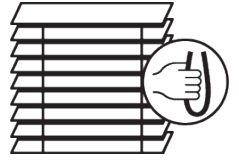


# SG 8300

---



## **PRODUCT INFORMATION**

- **Operation:** chain
- **Range:** S - M
- **Fitting:** ceiling, wall
- **Colours:** refer to Silent Gliss slat collection

### **Features:**

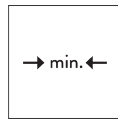
- Optimised light control
- Mono controlled
- Stainless steel bead chain
- Slat width: 25 mm (standard), 16 mm

# SYSTEM SPECIFICATIONS

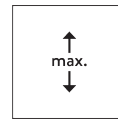
## A. SYSTEM DIMENSIONS



3 m



50 cm



3 m



4.5 m<sup>2</sup>

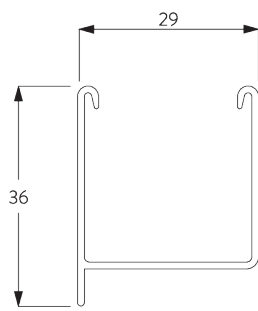
## Slat stack heights

		50	100	150	200	250	300
16 / 25 mm	X	7	9	11	13	15	17

(cm)

## B. PROFILE

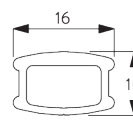
### Profile information



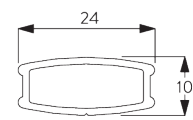
**SG 8301**  
Profile



**SG 8214**  
Profile ø 18 mm

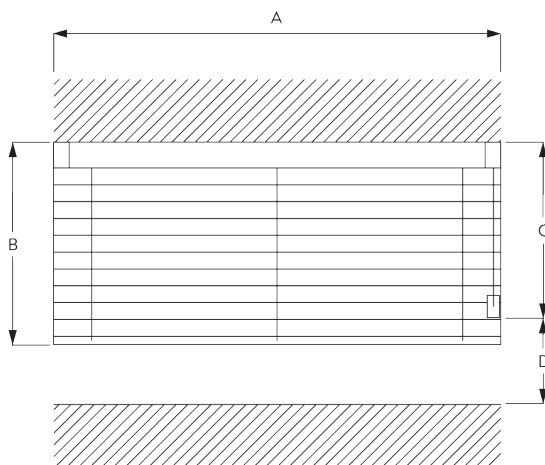


**SG 8003**  
Bottom bar 16 mm



**SG 8004**  
Bottom bar 24 mm

## C. HOW TO MEASURE



- A: System width
- B: System height
- C: Chain height
- D: Safety Retainer SG 10731 min. 150 cm above floor

**D. SPECIFICATION**  
**TEXT**

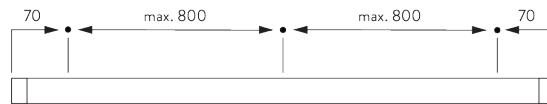
**Silent Gliss SG 8300 Chain Operated Venetian Blind System.** Supplied made to measure and complete comprising aluminium headrail SG 8301 incorporating flange to minimise light ingress at top of blind. Single chain operation RHS / LHS. System fixed with Snap-on-brackets SG 8302 to ceiling / wall at 800-1000mm intervals plus one 70mm from each end. Compliant to Child Safety legislation EN 13120 when used in conjunction with either the chain retainer SG 10400 or child safety device SG 10482. Slat colour to be chosen from Silent Gliss 16/25mm range, Price Group 1 / 2 / 3.

# FITTING OPTIONS

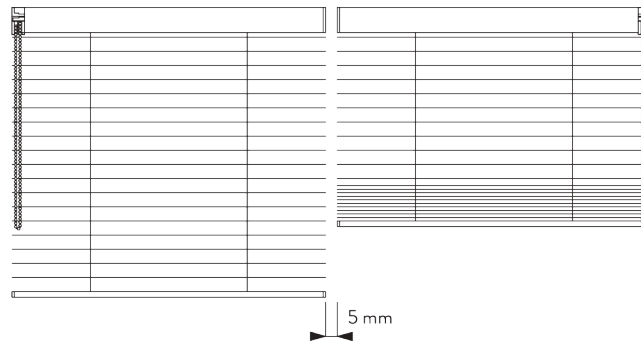
**A. FITTING**  
**INFORMATION**

For detailed fitting information, visit the Silent Gliss website.

**Fixing points**



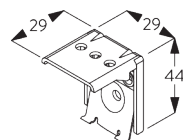
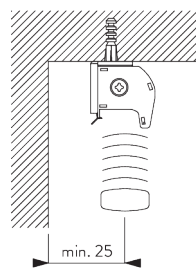
**Side-by-side fitting**



Min. distance: 5 mm

**B. CEILING FITTING**

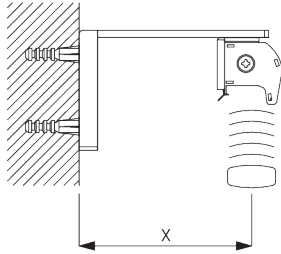
**Bracket SG 8302**



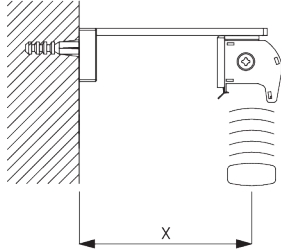
**SG 8302**  
Bracket

## C. WALL FITTING

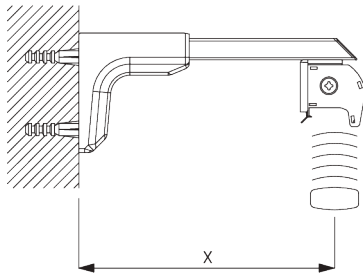
### Smart Fix



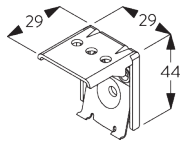
**Smart Fix SG 11200 - SG 11201 and bracket SG 8302:**  
Screw SG 10395 (M4x6) needed.



**Square Smart Fix SG 11210 - SG 11211  
and bracket SG 8302:**  
Screw SG 10395 (M4x6) needed.



**Universal Smart Fix SG 11154 - SG 11156  
and bracket SG 8302:**  
Screw SG 10407 (M4x10) needed.



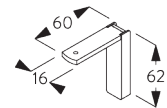
**SG 8302**  
Bracket



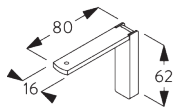
**SG 10395**  
Pan head screw M4x6



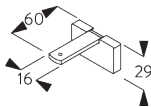
**SG 10407**  
Pan head screw M4x10



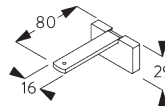
**SG 11200**  
Smart Fix 60 mm



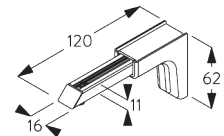
**SG 11201**  
Smart Fix 80 mm



**SG 11210**  
Square Smart Fix 60 mm

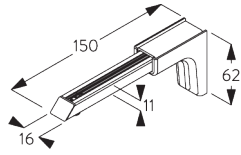


**SG 11211**  
Square Smart Fix 80 mm

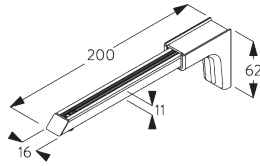


**SG 11154**  
Universal Smart Fix 120 mm

Smart Fix	X mm
SG 11200 / SG 11210	59
SG 11201 / SG 11211	79
SG 11154	109-137
SG 11155	139-167
SG 11156	189-217

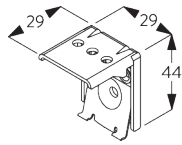
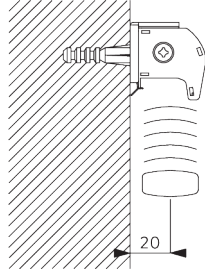


**SG 11155**  
Universal Smart Fix 150 mm



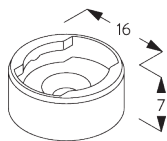
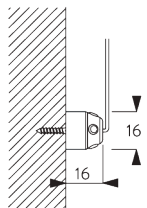
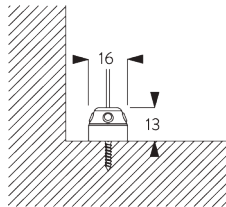
**SG 11156**  
Universal Smart Fix 200 mm

**Bracket SG 8302**

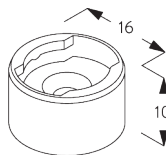


**SG 8302**  
Bracket

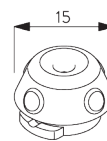
**D. FITTING WITH  
SIDE GUIDE  
OPTION**



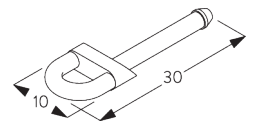
**SG 8235**  
Side guide wire base short



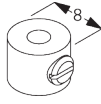
**SG 8236**  
Side guide wire base long



**SG 8237**  
Side guide wire holder

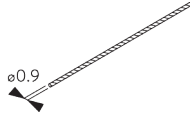


**SG 8241**  
Side guide eyelet



**SG 8249**

Side guide device

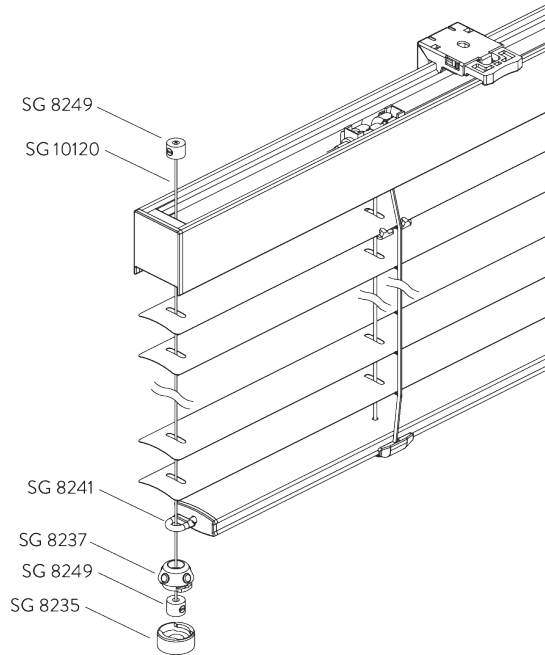


**SG 10120**

Side guide wire  $\varnothing$  0.9 mm

# SYSTEM OPTIONS

## A. SIDE GUIDES



Additional parts:



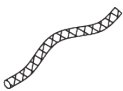


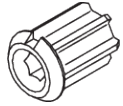


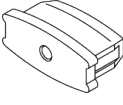
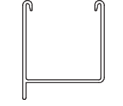
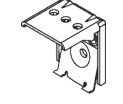
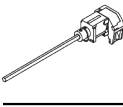
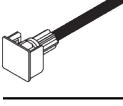
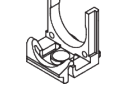
- 2x SG 8235 Side guide wire base short
- 2x SG 8237 Side guide wire holder
- 2x SG 8241 Side guide eyelet
- 4x SG 8249 Side guide device
- 2x SG 10120 Side guide wire  $\varnothing$  0.9 mm

Note:





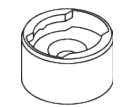
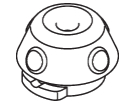
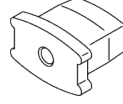
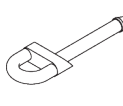
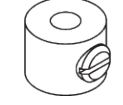
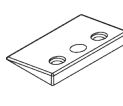
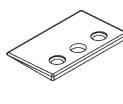
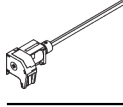
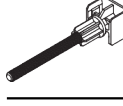
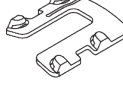
- Up to 15° from vertical

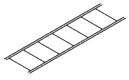
# PARTS

## A. STANDARD PARTS

	<b>SG 8004</b> Bottom bar 24 mm
	<b>SG 8007</b> Slat 25 mm
	<b>SG 8011</b> Lift cord ø 1.2 mm
	<b>SG 8013</b> Bottom clip 25 mm
	<b>SG 8214</b> Profile ø 18 mm
	<b>SG 8215</b> Tube adapter
	<b>SG 8222</b> Ring
	<b>SG 8224</b> Pin
	<b>SG 8239</b> End cover 25 mm
	<b>SG 8301</b> Profile
	<b>SG 8302</b> Bracket
	<b>SG 8305</b> Chain drive right
	<b>SG 8317</b> Spindle left
	<b>SG 8321</b> Support

## B. OPTIONAL PARTS

	<b>SG 8003</b> Bottom bar 16 mm
	<b>SG 8006</b> Slat 16 mm
	<b>SG 8012</b> Bottom clip 16 mm
	<b>SG 8235</b> Side guide wire base short
	<b>SG 8236</b> Side guide wire base long
	<b>SG 8237</b> Side guide wire holder
	<b>SG 8238</b> End cover 16 mm
	<b>SG 8241</b> Side guide eyelet
	<b>SG 8249</b> Side guide device
	<b>SG 8262</b> Spacer 10°
	<b>SG 8263</b> Spacer 4°
	<b>SG 8306</b> Chain drive left
	<b>SG 8316</b> Spindle right
	<b>SG 10109</b> Slat clip 16 mm



**SG 10116**

Ladder cord 16 mm



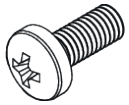
**SG 10120**

Side guide wire ø 0.9 mm



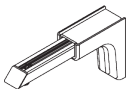
**SG 10395**

Pan head screw M4x6



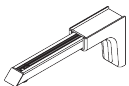
**SG 10407**

Pan head screw M4x10



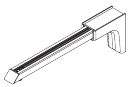
**SG 11154**

Universal Smart Fix 120 mm



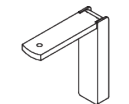
**SG 11155**

Universal Smart Fix 150 mm



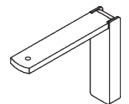
**SG 11156**

Universal Smart Fix 200 mm



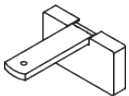
**SG 11200**

Smart Fix 60 mm



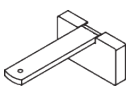
**SG 11201**

Smart Fix 80 mm



**SG 11210**

Square Smart Fix 60 mm



**SG 11211**

Square Smart Fix 80 mm