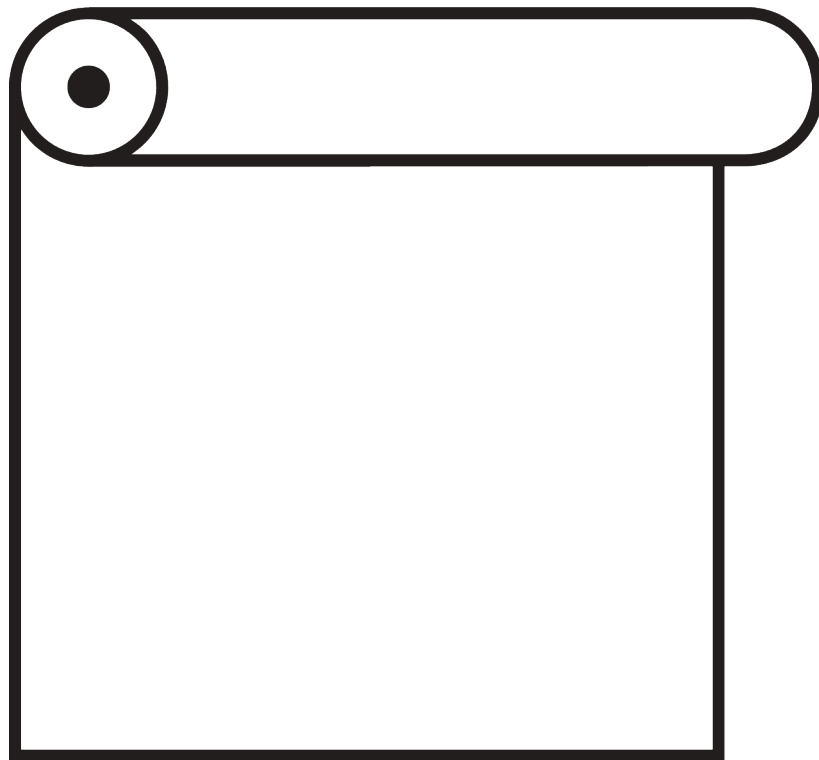


# ROLLER BLIND SYSTEMS



# GENERAL NOTES

## **Dimensions**

- Measurements are in mm except where indicated.
- Max. kg relates to fabric incl. accessories (bottom bars, etc.).











## **Fitting**

- Installation by qualified fitter only.
- Number of brackets and fitting positions / fixing points vary depending on fitting surface, system weight, fabric make-up, screw / fixing type and obstacles.
- Qualified fitter must use appropriate screws / fixings for each situation.
- Profile lip if applicable to be installed to room side.
- Electrical installations must be carried out according to Silent Gliss wiring diagrams and conform to local regulations.
- Check space for cables and plugs!

## **Child Safety**

- All relevant Silent Gliss systems correspond to child safety EN 13120.
- All parties involved must comply with EN 13120.

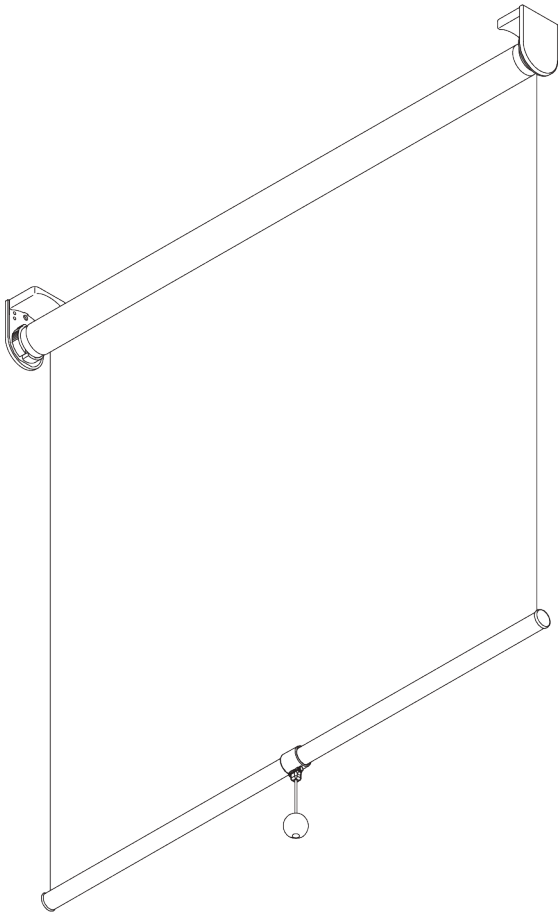
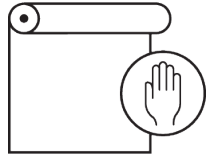
# APPLICATION CHART

<u>PAGE</u>	<u>SYSTEM</u>	<u>OPERATION</u>	<u>DIMENSION</u>	← max. →	↑ max. ↓	kg <sub>max.</sub>
5	<b>SG 4900</b>		S - M	2 m	3 m	2.2 kg
15	<b>SG 4905</b>		S	1.6 m	3 m	1.3 kg
23	<b>SG 4907</b>		S	1.8 m	2.8 m	2.5 kg
31	<b>SG 4910</b>		S - M	2.4 m	3 m	3 kg
47	<b>SG 4930</b>		M - L	3.4 m	5 m	7 kg
61	<b>SG 4840</b>		L	5 m	6 m	12.5 kg
71	<b>SG 4955</b>		S - M	2.4 m	4 m	2.5 kg
79	<b>SG 4960</b>		S - M	2.4 m	4 m	5.5 kg
101	<b>SG 4970</b>		M - L	3.4 m	5 m	10 kg
117	<b>SG 4880</b>		L	5 m	12 m	23 kg



# SG 4900

---



## PRODUCT INFORMATION

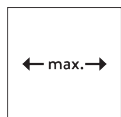
- **Operation:** spring
- **Range:** S - M
- **Fitting:** ceiling, wall, recess
- **Colours:** white RAL 9016, special colours possible
- **Fabrics:** refer to Silent Gliss fabric collection

### **Features:**

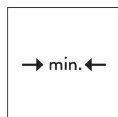
- Speed controller for controlled ascent
- Stop clutch mechanism to stop at any position
- Click-in brackets
- Installation profile
- End stop controller

# SYSTEM SPECIFICATIONS

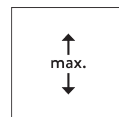
## A. SYSTEM DIMENSIONS



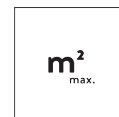
2 m



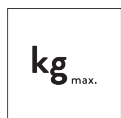
30 cm



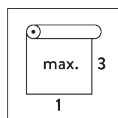
3 m



6 m<sup>2</sup>



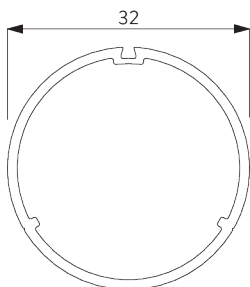
2.2 kg



Recommended width /  
height ratio  
max. 1:3

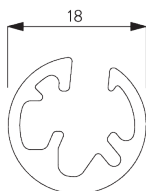
## B. PROFILE

Profile information



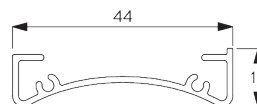
**SG 4227**

Tube ø 32 mm



**SG 10872**

Bottom bar

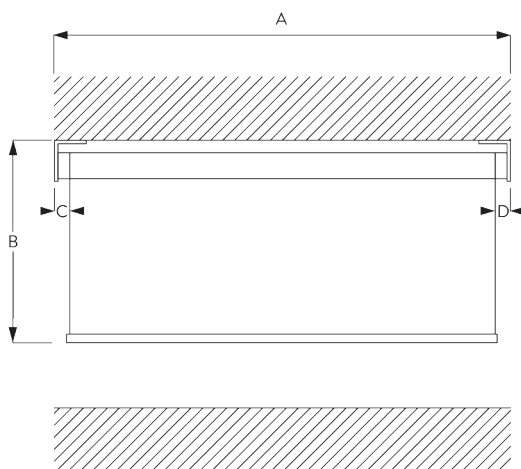


**SG 10534**

Installation profile

## C. HOW TO MEASURE

incl. bracket covers



- A: System width
- B: System height
- C: Light gap left side: 15 mm
- D: Light gap right side: 15 mm

Note:  
All measurements include 2 mm for bracket cover per side!  
These can be omitted to reduce side light gaps.

## D. SPECIFICATION

### TEXT

**Silent Gliss SG 4900 Spring Operated Roller Blind System.** Roller blind system for small to medium size blind applications up to 2.0m wide. Supplied made to measure and complete comprising anodised aluminium barrel SG 4227. Ceiling fix with brackets SG 10987 / SG 10989 / wall fix with brackets SG 10987 / SG 10990 / recess fix with brackets SG 10989 / SG 10991. Optional installation profile SG 10534. Available with optional stop controller SG 4377 to enable exact upper stop position of the blind (supplied as standard with fabric covered bottom bar). Assembled with powder coated white finish aluminium bottom weight bar SG 10872. Spring to be specified according to weight and characteristics of fabric. Fabric to be chosen from the Silent Gliss fabric range, Price Group 1R / 2R / 3R/4R.

# FITTING

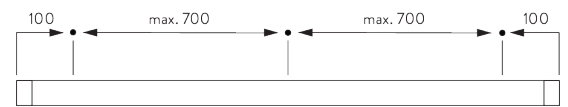
## A. FITTING INFORMATION

### Fixing points

For detailed fitting information, visit the [Silent Gliss website](#).

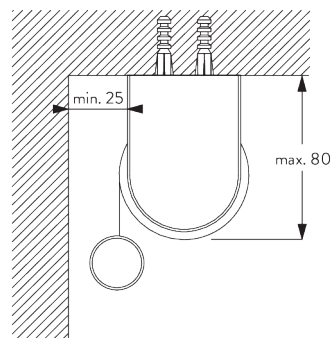


Brackets (wall / ceiling)



Installation profile SG 10534 (wall / ceiling)

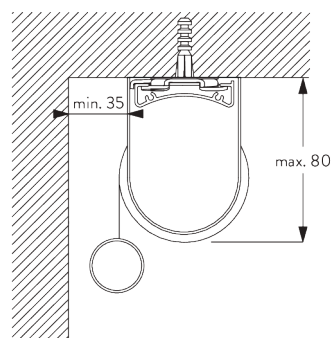
## B. CEILING FITTING



### Brackets

Bracket SG 10989: window rolling side of fabric or  
Bracket SG 10991: room rolling side of fabric

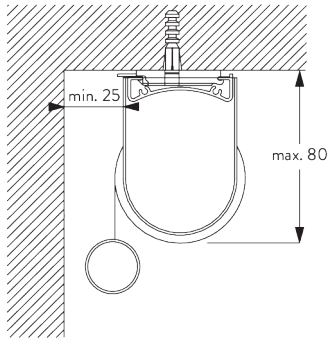
Bracket SG 10987



### Installation profile SG 10534 and clamp SG 3044

Bracket SG 10989: window rolling side of fabric or  
Bracket SG 10991: room rolling side of fabric

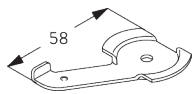
Bracket SG 10987



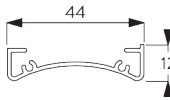
**Installation profile SG 10534 and click bracket SG 10539**

Bracket SG 10989: window rolling side of fabric or  
Bracket SG 10991: room rolling side of fabric

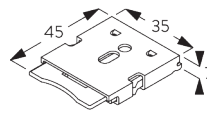
Bracket SG 10987



**SG 3044**  
Clamp



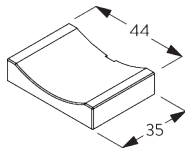
**SG 10534**  
Installation profile



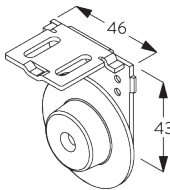
**SG 10539**  
Bracket



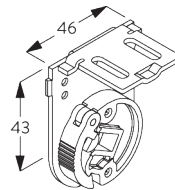
**SG 10574**  
Bracket cover



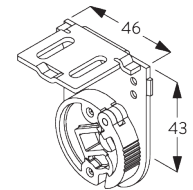
**SG 10575**  
Bracket cover



**SG 10987**  
Bracket

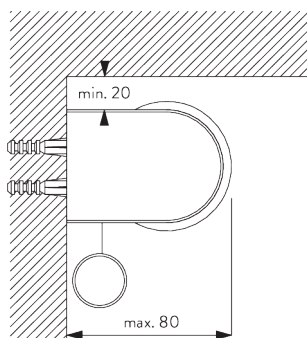


**SG 10989**  
Bracket



**SG 10991**  
Bracket

**C. WALL FITTING**

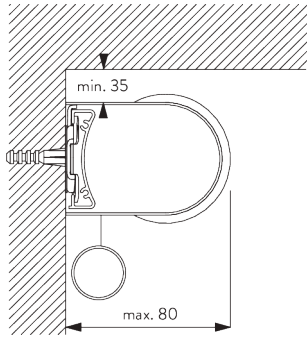


**Brackets**

Bracket SG 10990: window rolling side of fabric or  
Bracket SG 10992: room rolling side of fabric

Bracket SG 10987

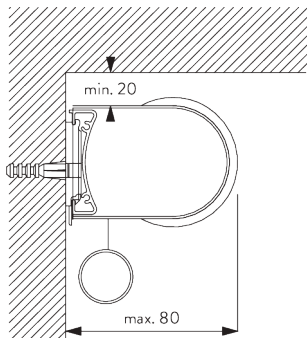




**Installation profile SG 10534 and clamp SG 3044**

Bracket SG 10990: window rolling side of fabric or  
Bracket SG 10992: room rolling side of fabric

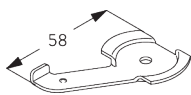
Bracket SG 10987



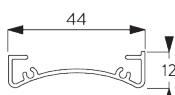
**Installation profile SG 10534 and click bracket SG 10539**

Bracket SG 10990: window rolling side of fabric or  
Bracket SG 10992: room rolling side of fabric

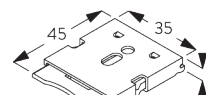
Bracket SG 10987



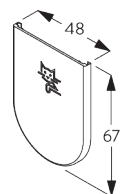
**SG 3044**  
Clamp



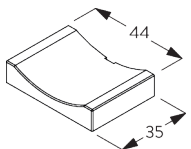
**SG 10534**  
Installation profile



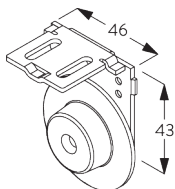
**SG 10539**  
Bracket



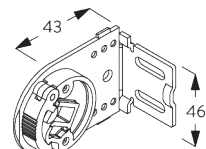
**SG 10574**  
Bracket cover



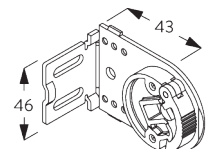
**SG 10575**  
Bracket cover



**SG 10987**  
Bracket

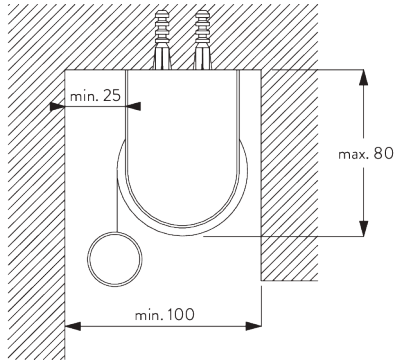


**SG 10990**  
Bracket



**SG 10992**  
Bracket

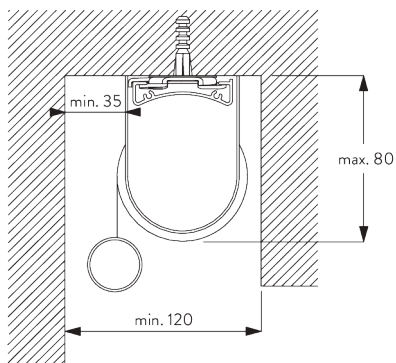
## D. RECESS FITTING



### **Brackets**

*Bracket SG 10989: window rolling side of fabric or  
Bracket SG 10991: room rolling side of fabric*

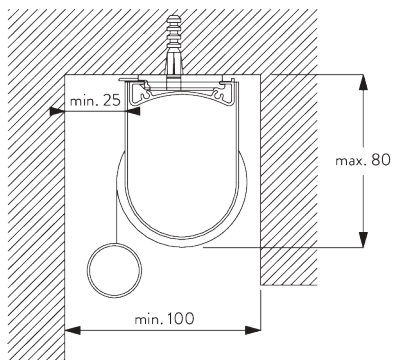
*Bracket SG 10987*



### **Installation profile SG 10534 and clamp SG 3044**

*Bracket SG 10989: window rolling side of fabric or  
Bracket SG 10991: room rolling side of fabric*

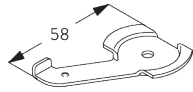
*Bracket SG 10987*



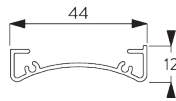
### **Installation profile SG 10534 and click bracket SG 10539**

*Bracket SG 10989: window rolling side of fabric or  
Bracket SG 10991: room rolling side of fabric*

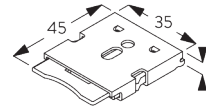
*Bracket SG 10987*



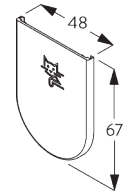
**SG 3044**  
Clamp



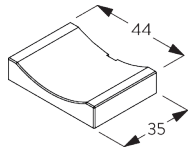
**SG 10534**  
Installation profile



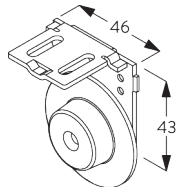
**SG 10539**  
Bracket



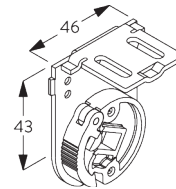
**SG 10574**  
Bracket cover



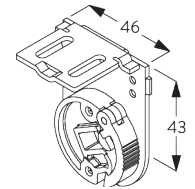
**SG 10575**  
Bracket cover



**SG 10987**  
Bracket



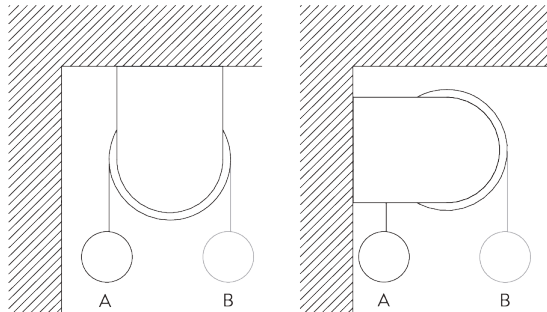
**SG 10989**  
Bracket



**SG 10991**  
Bracket

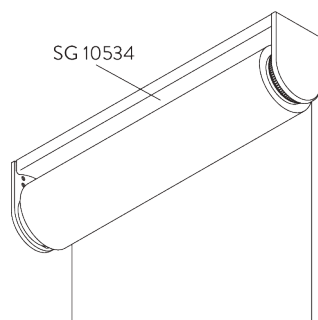
## SYSTEM OPTIONS

### A. FABRIC ROLL-OFF

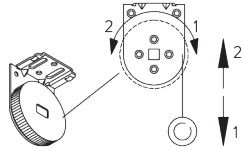


A: Fabric roll-off window side (standard)  
B: Fabric roll-off room side (option)

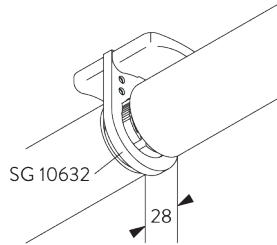
### B. INSTALLATION PROFILE



**C. ADJUSTABLE END STOP**



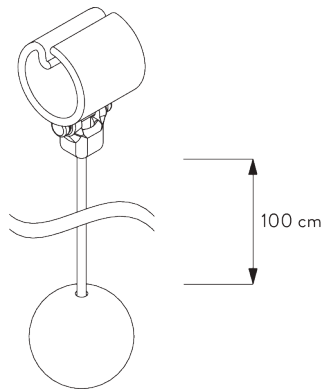
**D. TWO SINGLE SYSTEMS SIDE-BY-SIDE**



*Additional parts:*

- 1x SG 10632 Connection bracket cover

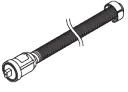
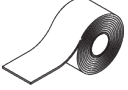

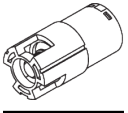
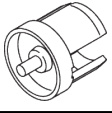

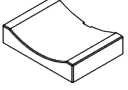



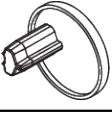


**E. CHILD SAFETY PULL BALL SET**




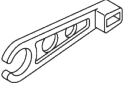
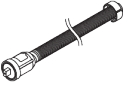
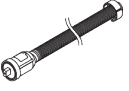
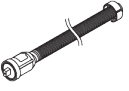
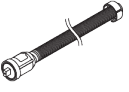

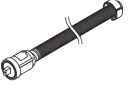

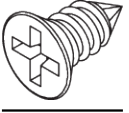
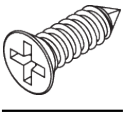



*Child safety pull ball set SG 10765*

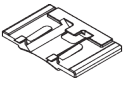


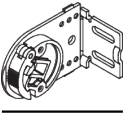

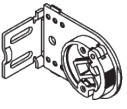
# PARTS

## A. STANDARD PARTS

	<b>SG 4214</b> Spring C 552 mm
	<b>SG 4226</b> Double tape 30 mm
	<b>SG 4227</b> Tube ø 32 mm
	<b>SG 4228</b> Speed controller right
	<b>SG 4231</b> Tube adapter
	<b>SG 10574</b> Bracket cover
	<b>SG 10575</b> Bracket cover
	<b>SG 10668</b> PVC strip 10 mm
	<b>SG 10765</b> Child safety pull ball
	<b>SG 10872</b> Bottom bar
	<b>SG 10874</b> End cover
	<b>SG 10987</b> Bracket
	<b>SG 10989</b> Bracket

## B. OPTIONAL PARTS

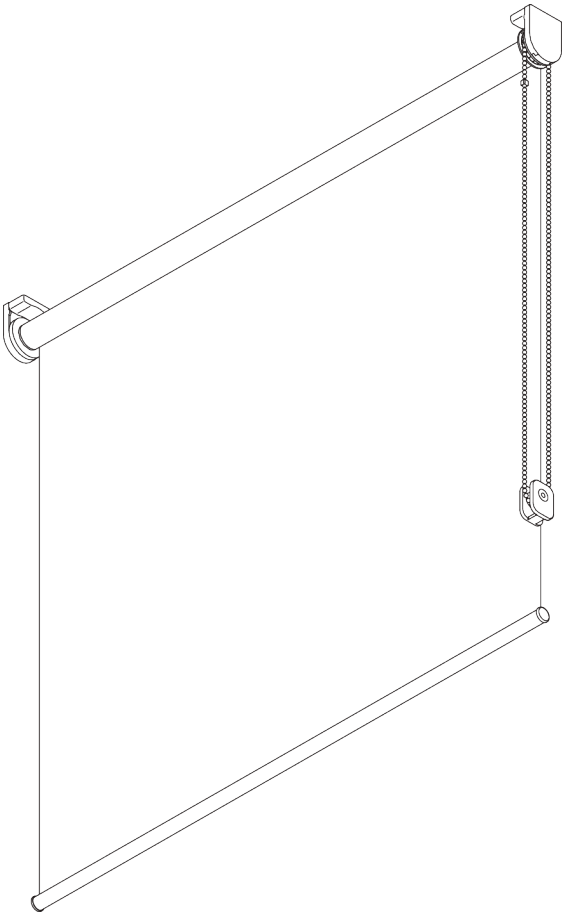
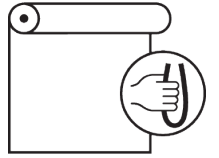
	<b>SG 3044</b> Clamp
	<b>SG 4211</b> Winder
	<b>SG 4212</b> Spring A 365 mm
	<b>SG 4213</b> Spring B 442 mm
	<b>SG 4215</b> Spring D 612 mm
	<b>SG 4216</b> Spring E 502 mm
	<b>SG 4217</b> Spring F 612 mm
	<b>SG 4218</b> Spring Y-2 198 mm
	<b>SG 4377</b> End stop
	<b>SG 10139</b> Countersunk screw 2.9x6.5
	<b>SG 10498</b> Countersunk screw 2.9x9.5
	<b>SG 10534</b> Installation profile
	<b>SG 10539</b> Bracket
	<b>SG 10632</b> Connection bracket cover

	<b>SG 10690</b> Spacer
	<b>SG 10707</b> End stop
	<b>SG 10988</b> Bracket end stop
	<b>SG 10990</b> Bracket
	<b>SG 10991</b> Bracket
	<b>SG 10992</b> Bracket



# SG 4905

---



## PRODUCT INFORMATION

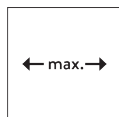
- **Operation:** chain
- **Range:** S
- **Fitting:** ceiling, wall, recess
- **Colours:** 20 colours plus silver
- **Fabrics:** refer to Silent Gliss fabric collection

### **Features:**

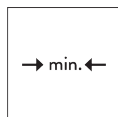
- Stainless steel bead chain
- Click-in brackets

# SYSTEM SPECIFICATIONS

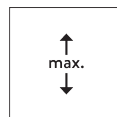
## A. SYSTEM DIMENSIONS



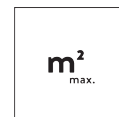
1.6 m



25 cm



3 m



4.8 m<sup>2</sup>



1.3 kg

## Maximum system drop

Wall fitting (system drop on window side)

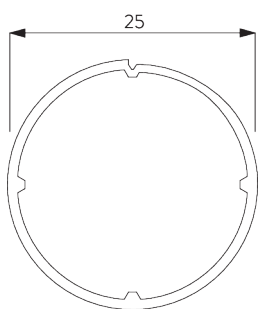
Fabric thickness	mm	0.15	0.20	0.25	0.30	0.35	0.40	0.45	0.50	0.55
Max. system drop	cm	300	300	300	300	290	260	240	210	190

Ceiling fitting / wall fitting (system drop on room side)

Fabric thickness	mm	0.15	0.20	0.25	0.30	0.35	0.40	0.45	0.50	0.55
Max. system drop	cm	300	300	300	300	300	300	290	260	240

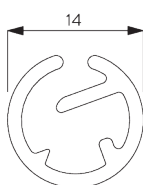
## B. PROFILE

### Profile information



**SG 10533**

Tube ø 25 mm

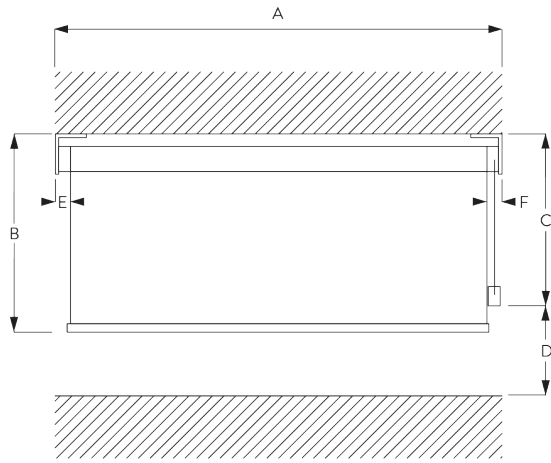


**SG 10687**

Bottom bar



**C. HOW TO  
MEASURE**



- A: System width
- B: System height
- C: Chain height
- D: Safety Retainer SG 10731 min. 150 cm above floor
- E: Light gap: 16 mm
- F: Light gap operation side: 21 mm

**D. SPECIFICATION  
TEXT**

**Silent Gliss SG 4905 Chain Operated Roller Blind System.** Roller blind system for small to medium size blind applications up to 1.6m wide. Supplied made to measure and complete comprising anodised aluminium barrel SG 10533. Fixed to wall/ceiling/inside recess with brackets SG 10679 / SG 10680 and covers SG 10683 / SG 10684. Assembled with powder coated aluminium bottom weight bar SG 10687. All plastic parts are supplied colour matched to 27 Colorama colours, or silver. Compliant to Child Safety legislation EN 13120. SG 4905 only supplied with fabric Colorama 1 or Colorama 2.

**FITTING**

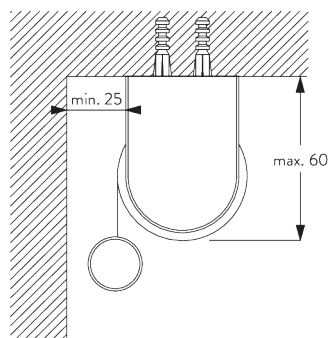
**A. FITTING  
INFORMATION**

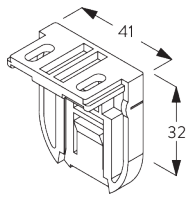
For detailed fitting information, visit the Silent Gliss website, login section.

**Fixing points**

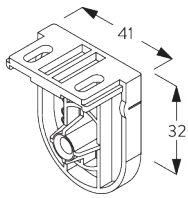


**B. CEILING FITTING**

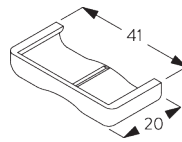




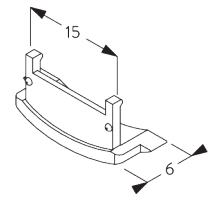
**SG 10679**  
Bracket



**SG 10680**  
Bracket

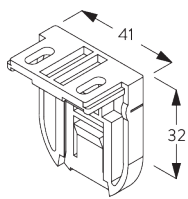
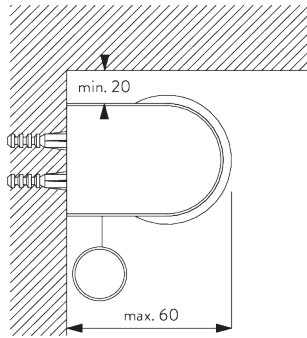


**SG 10683**  
Bracket cover

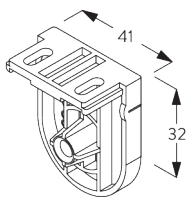


**SG 10684**  
Cover

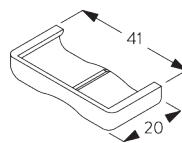
### C. WALL FITTING



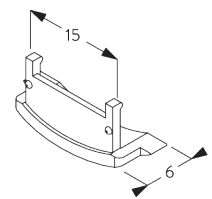
**SG 10679**  
Bracket



**SG 10680**  
Bracket

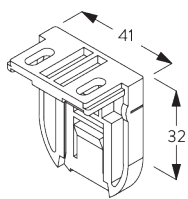
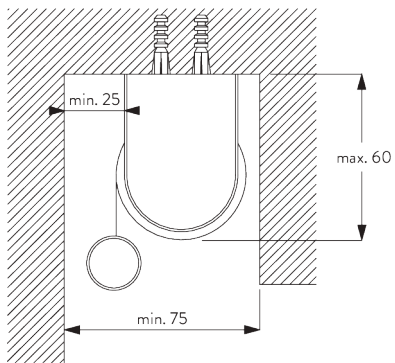


**SG 10683**  
Bracket cover

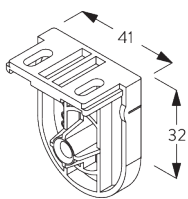


**SG 10684**  
Cover

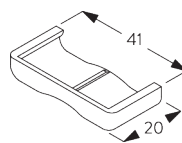
### D. RECESS FITTING



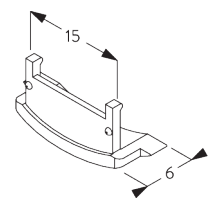
**SG 10679**  
Bracket



**SG 10680**  
Bracket

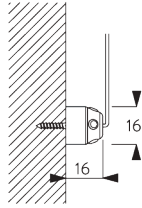
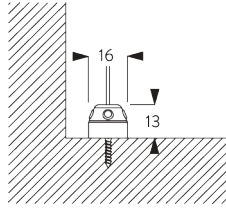


**SG 10683**  
Bracket cover

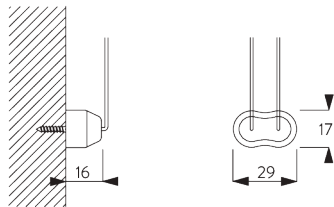
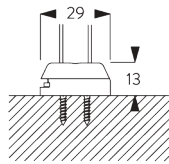


**SG 10684**  
Cover

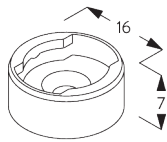
**E. FITTING WITH  
SIDE GUIDE  
OPTION**



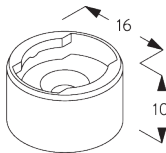
**Single system**



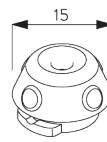
**Double system (side-by-side installation)**



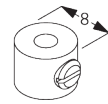
**SG 8235**  
*Side guide wire base short*



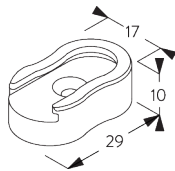
**SG 8236**  
*Side guide wire base long*



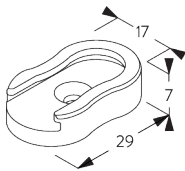
**SG 8237**  
*Side guide wire holder*



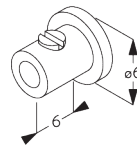
**SG 8249**  
*Side guide device*



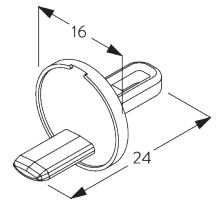
**SG 10669**  
*Side guide double base long*



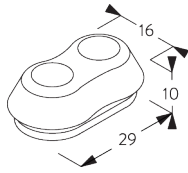
**SG 10673**  
*Side guide double base short*



**SG 10676**  
*Device*

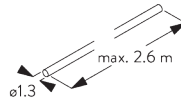


**SG 10686**  
*Side guide end cover*



**SG 10701**

Side guide double wire holder

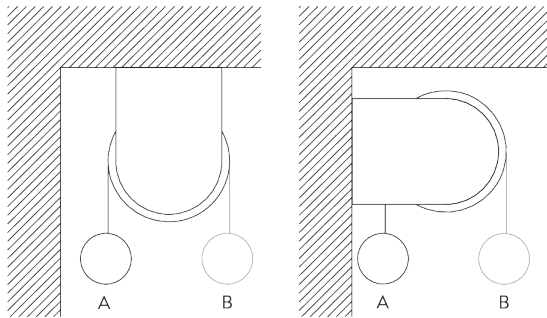


**SG 10706**

Side guide wire ø 1.3 mm x 2.6 m

## SYSTEM OPTIONS

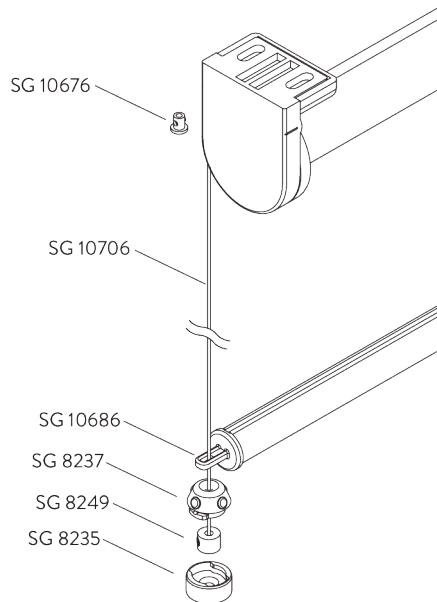
### A. FABRIC ROLL-OFF



A: Fabric roll-off window side (standard)

B: Fabric roll-off room side (option)

### B. SIDE GUIDES



Additional parts:

- 2x SG 8235 Side guide wire base short
- 2x SG 8237 Side guide wire holder
- 2x SG 8249 Side guide device
- 2x SG 10676 Device
- 2x SG 10686 Side guide end cover
- 2x SG 10706 Side guide wire ø 1.3 mm x 2.6 m

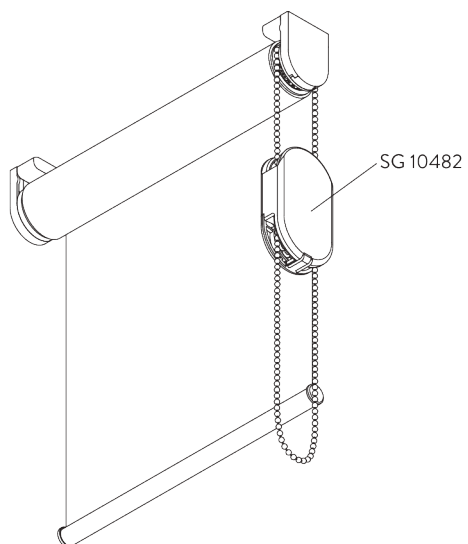
Optional parts:

- 2x SG 8236 Side guide wire base long
- 2x SG 10643 Side guide wire ø 1.3 mm x 4.2 m
- 1x SG 10669 Side guide double base long
- 1x SG 10673 Side guide double base short
- 1x SG 10701 Side guide double wire holder

Note:

- Light gaps increase when side-guide option is used
- Up to 15° from vertical

**C. CHILD SAFETY  
DEVICE**

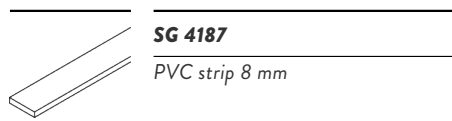


*The child safety device SG 10482 releases the chain should the pulling force exceed 6 kg.*

*Note:  
System to be installed so chain loop of child safety device ends at least 60 cm above floor.*

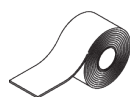
# PARTS

## A. STANDARD PARTS



**SG 4187**

PVC strip 8 mm



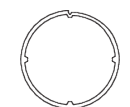
**SG 4226**

Double tape 30 mm



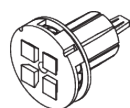
**SG 10530**

Bead chain metal ø 4 mm



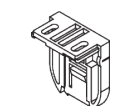
**SG 10533**

Tube ø 25 mm



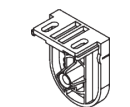
**SG 10670**

Chain drive, up to 1.3 kg fabric weight



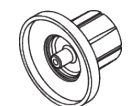
**SG 10679**

Bracket



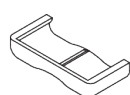
**SG 10680**

Bracket



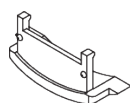
**SG 10681**

Tube adapter



**SG 10683**

Bracket cover



**SG 10684**

Cover



**SG 10685**

End cover



**SG 10687**

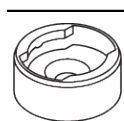
Bottom bar



**SG 10731**

Child safety retainer set

## B. OPTIONAL PARTS



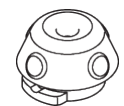
**SG 8235**

Side guide wire base short



**SG 8236**

Side guide wire base long



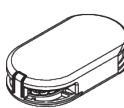
**SG 8237**

Side guide wire holder



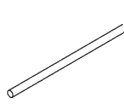
**SG 8249**

Side guide device



**SG 10482**

Child safety device set metal chain ø 4.0 mm



**SG 10643**

Side guide wire ø 1.3 mm x 4.2 m



**SG 10669**

Side guide double base long



**SG 10673**

Side guide double base short



**SG 10676**

Device



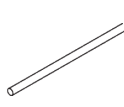
**SG 10686**

Side guide end cover



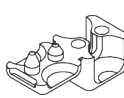
**SG 10701**

Side guide double wire holder



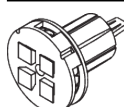
**SG 10706**

Side guide wire ø 1.3 mm x 2.6 m



**SG 10709**

Chain stop for ø 4 mm chain

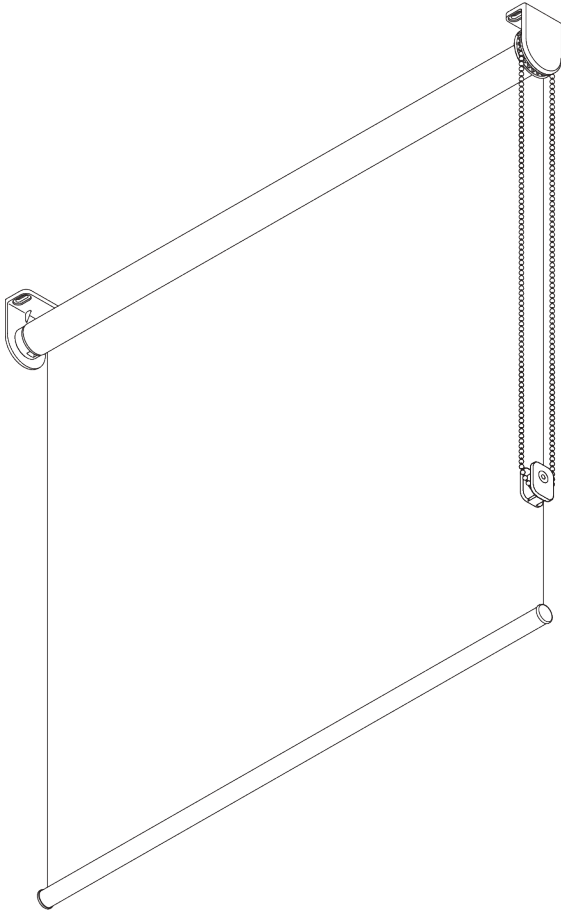
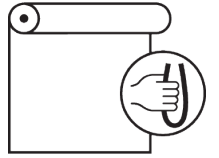


**SG 10710**

Chain drive, up to 0.5 kg fabric weight

# SG 4907

---



## PRODUCT INFORMATION

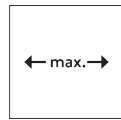
- **Operation:** chain
- **Range:** S
- **Fitting:** ceiling, wall, recess
- **Colours:** white RAL 9016 or grey RAL 7035, special colours possible
- **Fabrics:** refer to Silent Gliss fabric collection

### **Features:**

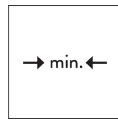
- Stainless steel bead chain
- Identical (left / right) metal click-in brackets
- Installation profile

# SYSTEM SPECIFICATIONS

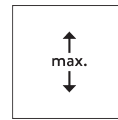
## A. SYSTEM DIMENSIONS



1.8 m



50 cm



2.8 m



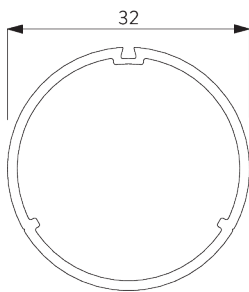
5 m<sup>2</sup>



2.5 kg

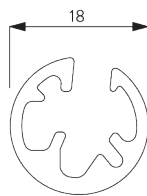
## B. PROFILE

Profile information



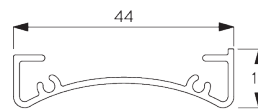
**SG 4227**

Tube ø 32 mm



**SG 10872**

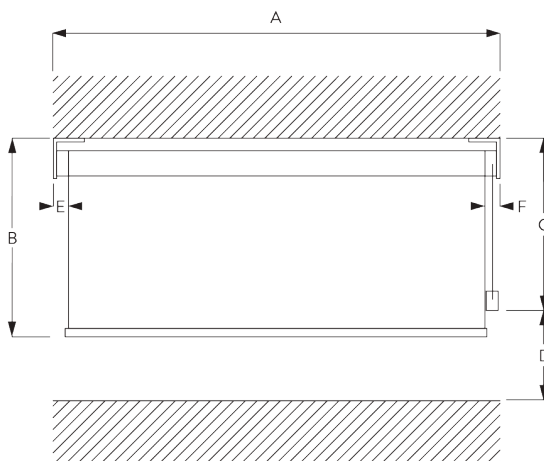
Bottom bar



**SG 10534**

Installation profile

## C. HOW TO MEASURE



A: System width

B: System height

C: Chain height

D: Safety Retainer SG 10731 min. 150 cm above floor

E: Light gap: 17 mm

F: Light gap operation side: 17 mm

## D. SPECIFICATION TEXT

**Silent Gliss SG 4907 Chain Operated Roller Blind System.** Roller blind system for medium size blind applications up to 1.8m wide. Supplied made to measure and complete comprising anodised aluminium barrel SG 4227. Fixed to wall/ceiling/inside recess with brackets SG 10873. Assembled with powder coated aluminium bottom weight bar SG 10872 in white/grey. Compliant to Child Safety legislation EN 13120. Fabric to be chosen from the Silent Gliss fabric range, Price Group 1R / 2R / 3R.

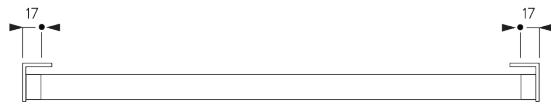


# FITTING

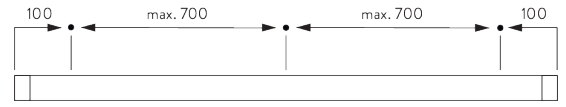
## A. FITTING INFORMATION

### Fixing points

For detailed fitting information, visit the Silent Gliss website.

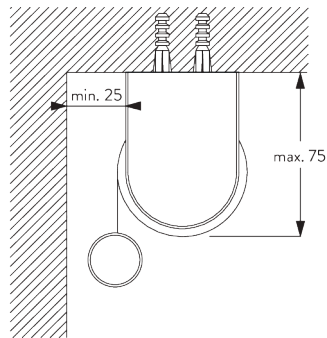


Brackets (wall / ceiling)

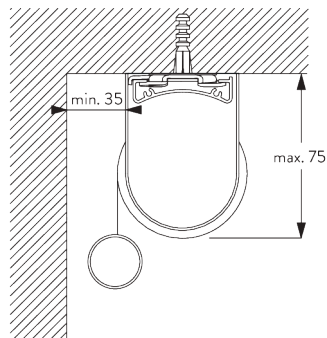


Installation profile SG 10534 (wall / ceiling)

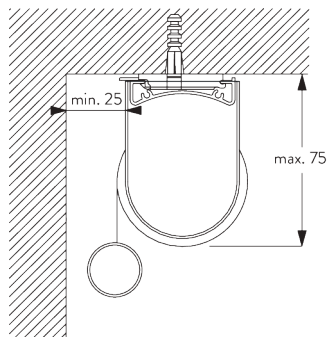
## B. CEILING FITTING



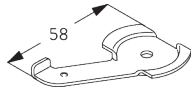
Brackets SG 10873



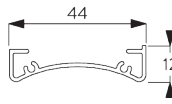
Installation profile SG 10534, brackets SG 11198 and clamp SG 3044



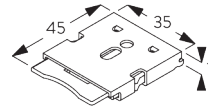
Installation profile SG 10534, brackets SG 11198 and click bracket SG 10539



**SG 3044**  
Clamp



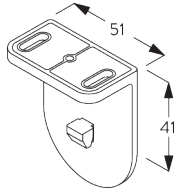
**SG 10534**  
Installation profile



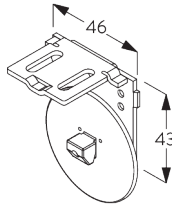
**SG 10539**  
Bracket



**SG 10574**  
Bracket cover

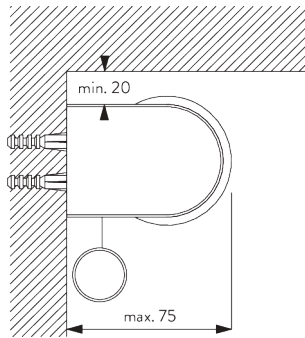


**SG 10873**  
Bracket

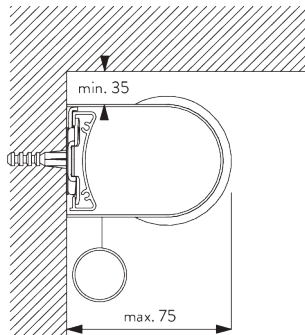


**SG 11198**  
Bracket

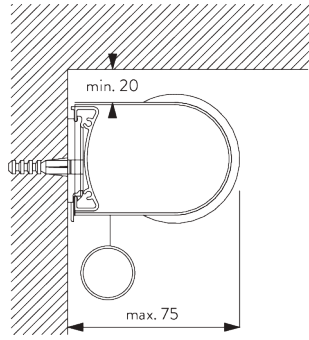
## C. WALL FITTING



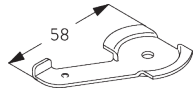
**Brackets SG 10873**



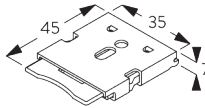
**Installation profile SG 10534, brackets SG 11198 and clamp SG 3044**



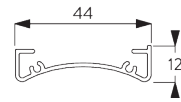
**Installation profile SG 10534, brackets SG 11198 and click bracket SG 10539**



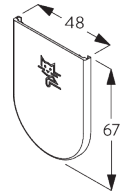
**SG 3044**  
Clamp



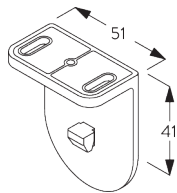
**SG 10539**  
Bracket



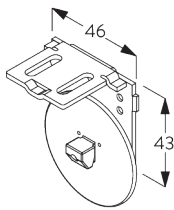
**SG 10534**  
Installation profile



**SG 10574**  
Bracket cover

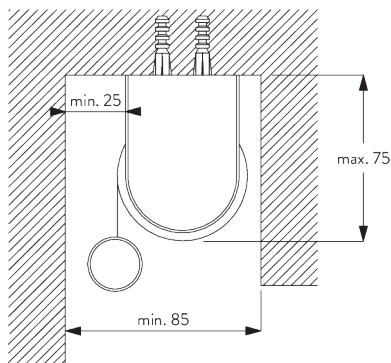


**SG 10873**  
Bracket

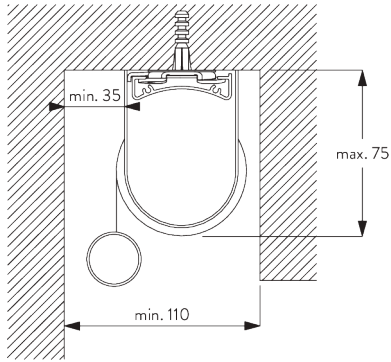


**SG 11198**  
Bracket

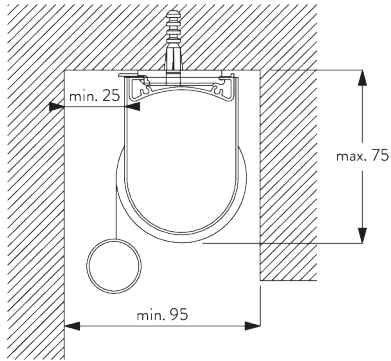
## **D. RECESS FITTING**



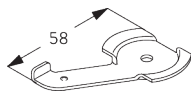
**Brackets SG 10873**



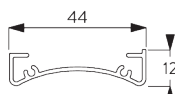
**Installation profile SG 10534, brackets SG 11198 and clamp SG 3044**



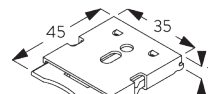
**Installation profile SG 10534, brackets SG 11198 and click bracket SG 10539**



**SG 3044**  
Clamp



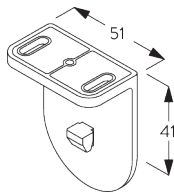
**SG 10534**  
Installation profile



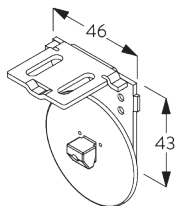
**SG 10539**  
Bracket



**SG 10574**  
Bracket cover



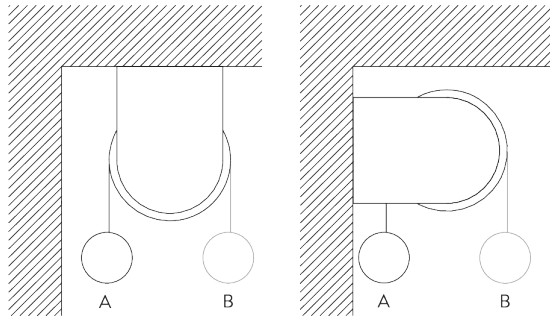
**SG 10873**  
Bracket



**SG 11198**  
Bracket

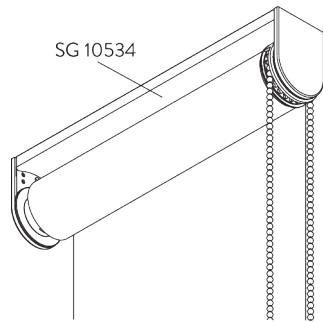
# SYSTEM OPTIONS

## A. FABRIC ROLL-OFF



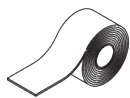
A: Fabric roll-off window side (standard)  
B: Fabric roll-off room side (option)

## B. INSTALLATION PROFILE



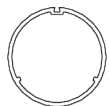
# PARTS

## A. STANDARD PARTS



**SG 4226**

Double tape 30 mm



**SG 4227**

Tube ø 32 mm



**SG 4234**

PVC strip 12 mm



**SG 4845**

Bead chain metal ø 4.5 mm



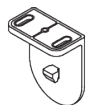
**SG 10731**

Child safety retainer set



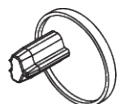
**SG 10872**

Bottom bar



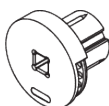
**SG 10873**

Bracket



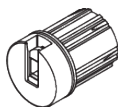
**SG 10874**

End cover



**SG 10880**

Chain drive



**SG 10885**

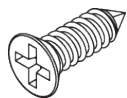
Tube adapter

## B. OPTIONAL PARTS



**SG 3044**

Clamp



**SG 10498**

Countersunk screw 2.9x9.5



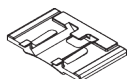
**SG 10534**

Installation profile



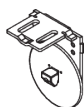
**SG 10574**

Bracket cover



**SG 10690**

Spacer

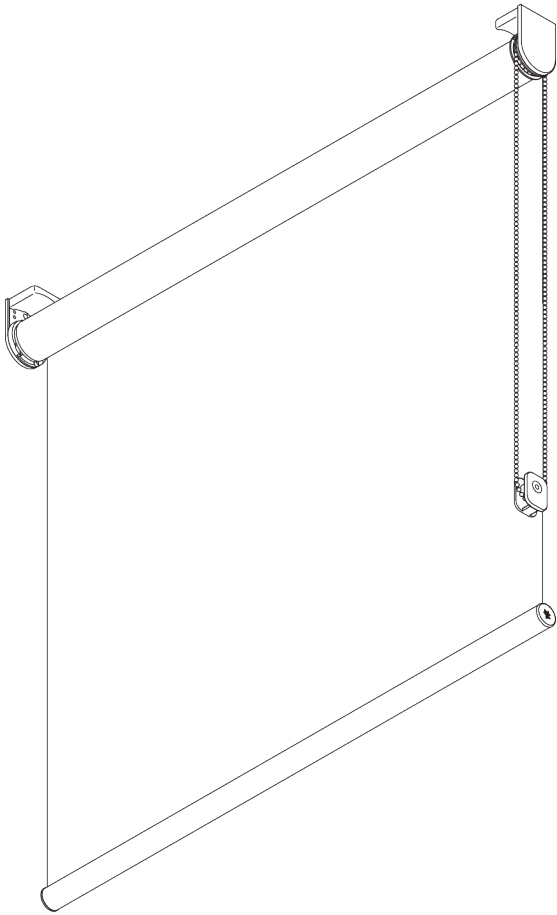
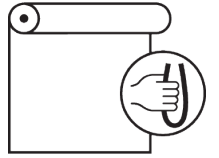


**SG 11198**

Bracket

# SG 4910

---



## PRODUCT INFORMATION

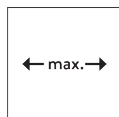
- **Operation:** chain
- **Range:** S - M
- **Fitting:** ceiling, wall, recess
- **Colours:** white RAL 9016, grey RAL 7035, black RAL 9005; special colours possible
- **Fabrics:** refer to Silent Gliss fabric collection

### **Features:**

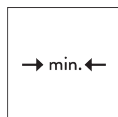
- Spring assisted, effortless operation
- 1-to-1 gear drive
- Stainless steel bead chain
- Click-in brackets, Fascia, box, installation profile
- End stop controller

# SYSTEM SPECIFICATIONS

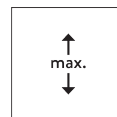
## A. SYSTEM DIMENSIONS



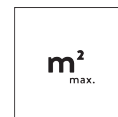
2.4 m



25 cm\*,  
Fascia / Box: 60 cm  
\*25 - 60 cm only with  
installation profile  
SG 10534



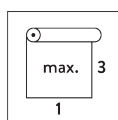
3 m



7.2 m<sup>2</sup>



3 kg



Recommended width /  
height ratio  
max. 1:3

## Maximum system drop

Wall fitting (system drop on window side):

Fabric thickness	mm	0.15	0.20	0.25	0.30	0.35	0.40	0.45	0.50	0.55	0.60	0.65	0.70	0.75	0.80
Max. system drop	cm	300	300	300	300	300	300	300	300	300	290	270	250	230	220

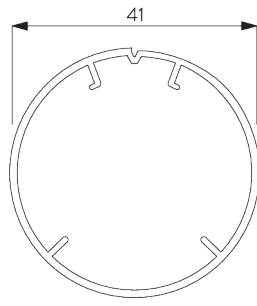
Ceiling fitting / wall fitting (system drop on room side):

Fabric thickness	mm	0.15	0.20	0.25	0.30	0.35	0.40	0.45	0.50	0.55	0.60	0.65	0.70	0.75	0.80
Max. system drop	cm	300	300	300	300	300	300	300	300	300	300	300	300	300	280



## B. PROFILE

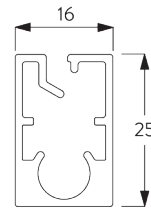
### Profile information



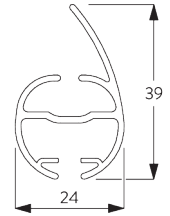
**SG 10531**  
Tube ø 41 mm



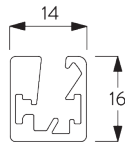
**SG 10760**  
Bottom bar



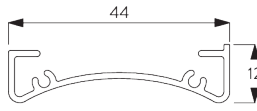
**SG 10770**  
Bottom bar



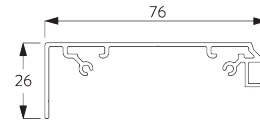
**SG 4903**  
Bottom bar



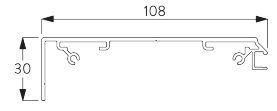
**SG 11442**  
Bottom bar



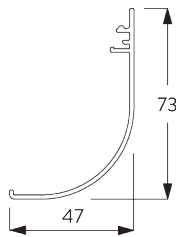
**SG 10534**  
Installation profile



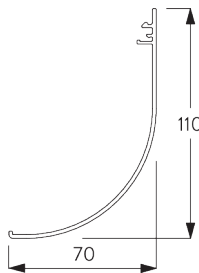
**SG 11430**  
Installation profile fascia 73 mm



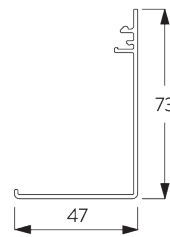
**SG 11530**  
Installation profile fascia 110 mm



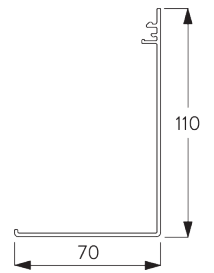
**SG 11431**  
Fascia round 73 mm



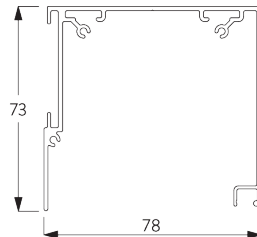
**SG 11531**  
Fascia round 110 mm



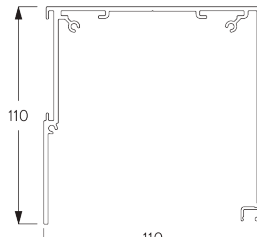
**SG 11432**  
Fascia square 73 mm



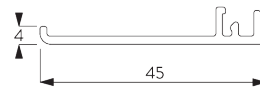
**SG 11532**  
Fascia square 110 mm



**SG 11433**  
Box case 73 mm



**SG 11533**  
Box case 110 mm



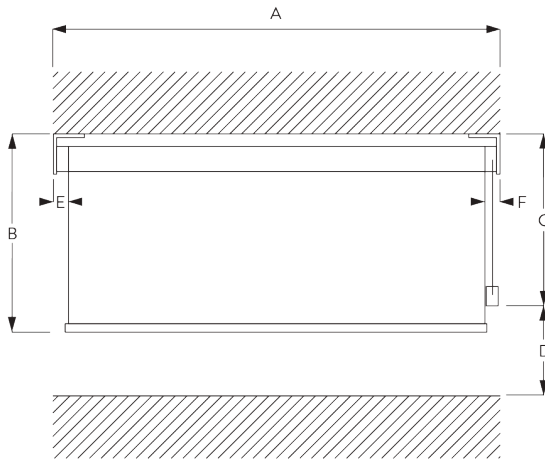
**SG 11434**  
Box cover 73 mm



**SG 11534**  
Box cover 110 mm

## C. HOW TO MEASURE

*incl. bracket covers*

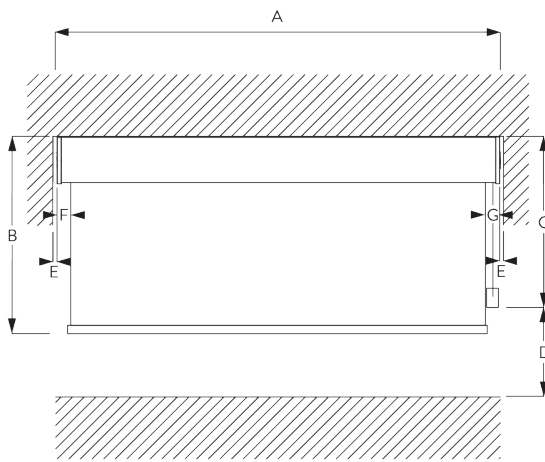


- A: System width
- B: System height
- C: Chain height
- D: Safety Retainer SG 10731 min. 150 cm above floor
- E: Light gap: 13 mm
- F: Light gap operation side: 18 mm

Note:

All measurements include 2 mm for bracket cover per side!  
These can be omitted to reduce side light gaps.

## Fascia / Box



- A: System width
- B: System height
- C: Chain height
- D: Safety Retainer SG 10731 min. 150 cm above floor
- E: Gap: min. 10 mm (when cover is used)
- F: Light gap: 15 mm
- G: Light gap operation side: 21 mm

## D. SPECIFICATION TEXT

**Silent Gliss SG 4910 Chain Operated Roller Blind System.** Roller blind system for medium to large size blind applications up to 2.4m wide. Supplied made to measure and complete comprising anodised aluminium barrel SG 10531 with counterbalancing spring and planetary gear set ensuring light, precise movement. Fixed to wall / ceiling/inside recess with brackets SG 10542 / SG 10543 and bracket covers SG 10574 / SG 10575. Optional installation profile SG 10534. Assembled with powder coated white finish aluminium bottom weight bar SG 10760 as standard (other shape options available). Optional adjustable end stop SG 10559 / SG 10560 allows upper or lower stop limit setting. Compliant to Child Safety legislation EN 13120. Fabric to be chosen from the Silent Gliss fabric range, Price Group 1R / 2R / 3R.

# FITTING

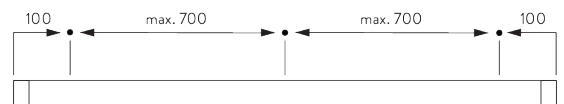
## A. FITTING INFORMATION

For detailed fitting information, visit the Silent Gliss website.

### Fixing points

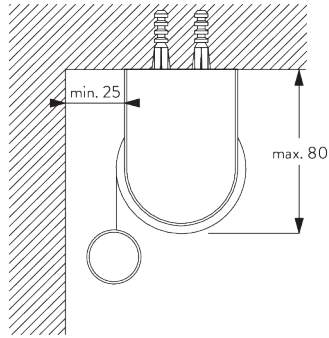


Brackets (wall / ceiling)

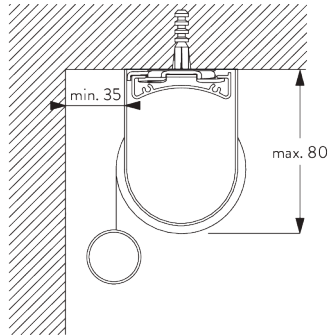


Fascia / box & installation profile SG 10534 (wall / ceiling)

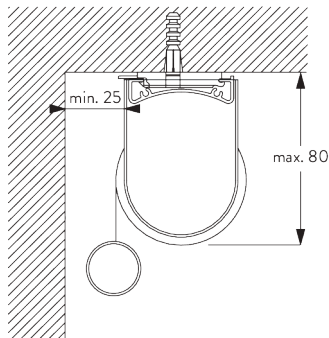
## B. CEILING FITTING



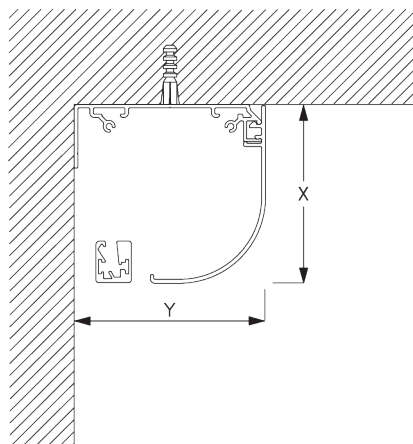
**Brackets**



**Installation profile SG 10534 and clamp SG 3044**



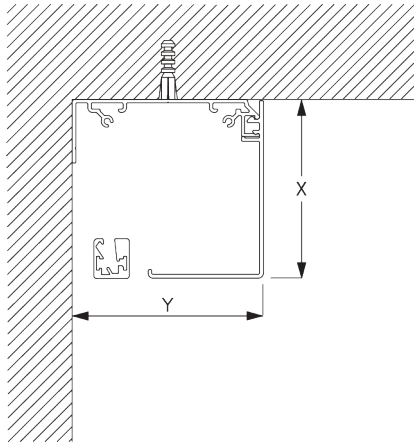
**Installation profile SG 10534 and click bracket SG 10539**



**Fascia round**

X = Fascia S 73 mm / Fascia L 110 mm

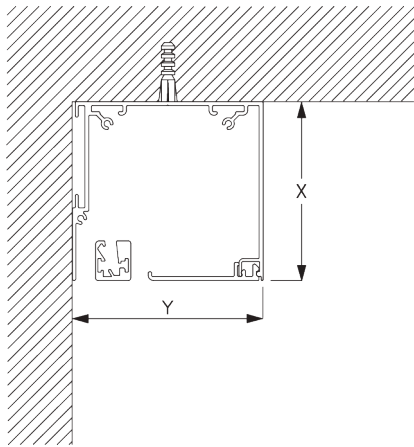
Y = Fascia S 78 mm / Fascia L 110 mm



**Fascia square**

X = Fascia S 73 mm / Fascia L 110 mm

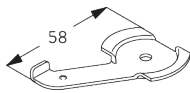
Y = Fascia S 78 mm / Fascia L 110 mm



**Box**

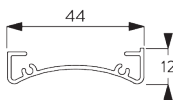
X = Box S 73 mm / Box L 110 mm

Y = Box S 78 mm / Box L 110 mm



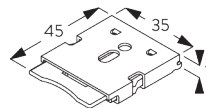
**SG 3044**

Clamp



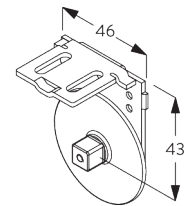
**SG 10534**

Installation profile



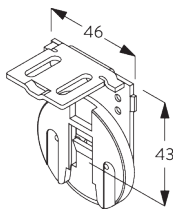
**SG 10539**

Bracket



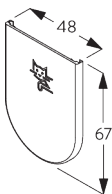
**SG 10542**

Bracket



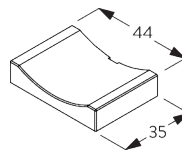
**SG 10543**

Bracket



**SG 10574**

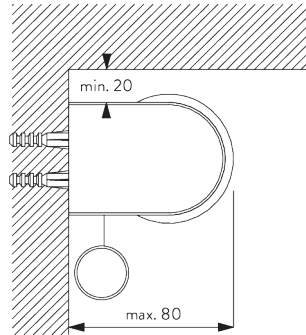
Bracket cover



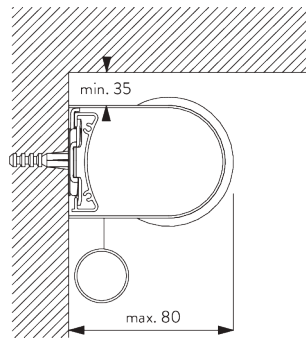
**SG 10575**

Bracket cover

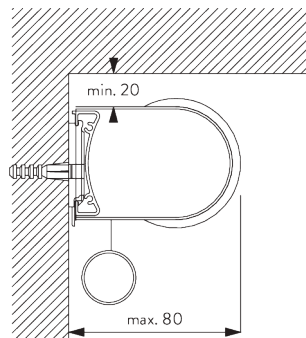
## C. WALL FITTING



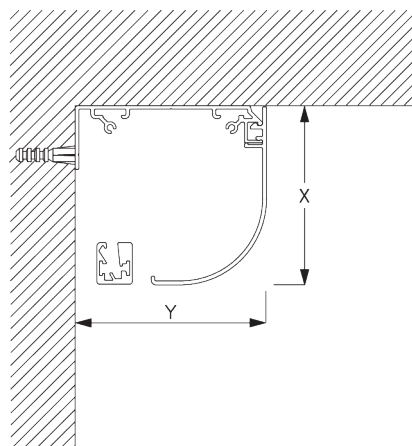
**Brackets**



**Installation profile SG 10534 and clamp SG 3044**



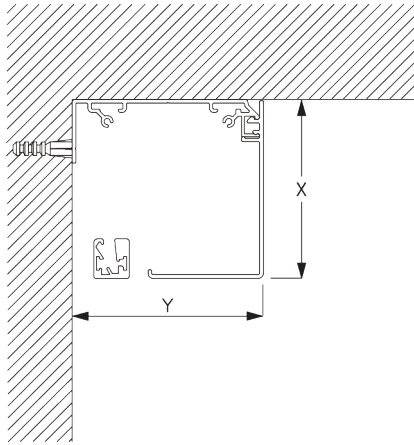
**Installation profile SG 10534 and click bracket SG 10539**



**Fascia round**

X = Fascia S 73 mm / Fascia L 110 mm

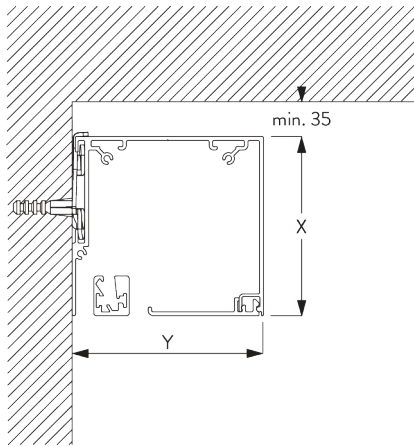
Y = Fascia S 78 mm / Fascia L 110 mm



**Fascia square**

X = Fascia S 73 mm / Fascia L 110 mm

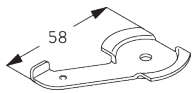
Y = Fascia S 78 mm / Fascia L 110 mm



**Box S and clamp SG 3044 / Box L and clamp SG 11180**

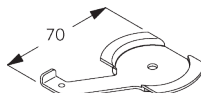
X = Box S 73 mm / Box L 110 mm

Y = Box S 78 mm / Box L 110 mm



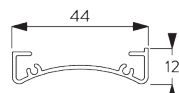
**SG 3044**

Clamp



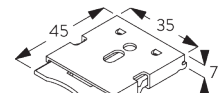
**SG 11180**

Clamp



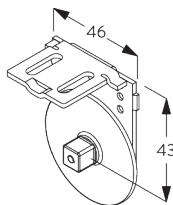
**SG 10534**

Installation profile



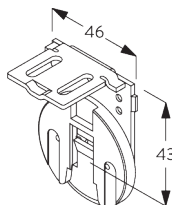
**SG 10539**

Bracket



**SG 10542**

Bracket



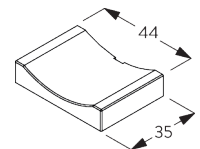
**SG 10543**

Bracket



**SG 10574**

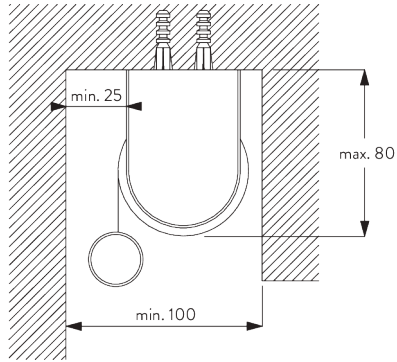
Bracket cover



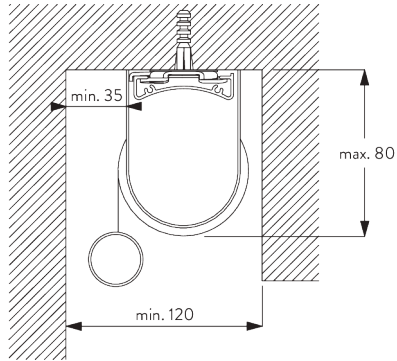
**SG 10575**

Bracket cover

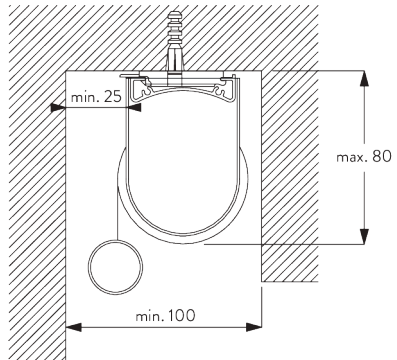
## D. RECESS FITTING



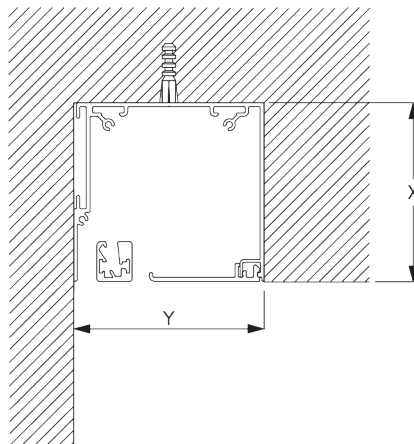
**Brackets**



**Installation profile SG 10534 and clamp SG 3044**



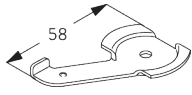
**Installation profile SG 10534 and click bracket SG 10539**



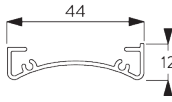
**Box**

X = Box S 73 mm / Box L 110 mm

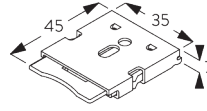
Y = Box S min. 79 mm / Box L min. 111 mm



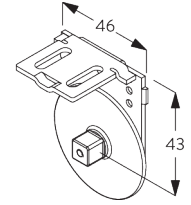
**SG 3044**  
Clamp



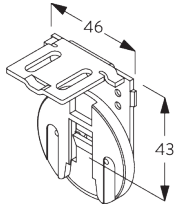
**SG 10534**  
Installation profile



**SG 10539**  
Bracket



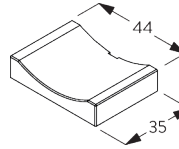
**SG 10542**  
Bracket



**SG 10543**  
Bracket

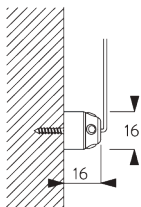
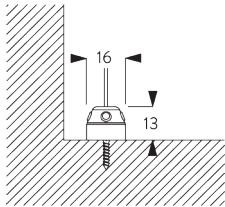


**SG 10574**  
Bracket cover

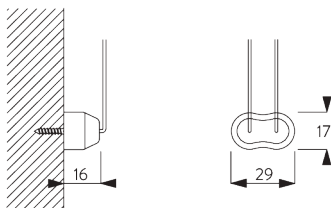
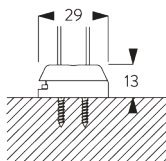


**SG 10575**  
Bracket cover

**E. FITTING WITH  
SIDE GUIDE  
OPTION**

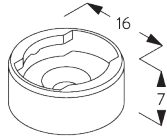


**Single system**

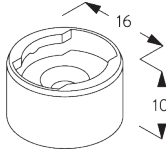


**Double system (side-by-side installation)**

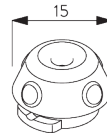




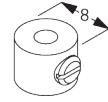
**SG 8235**  
Side guide wire base short



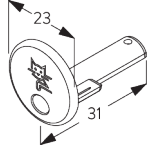
**SG 8236**  
Side guide wire base long



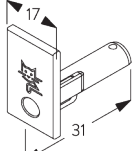
**SG 8237**  
Side guide wire holder



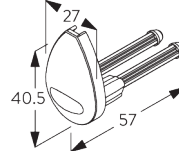
**SG 8249**  
Side guide device



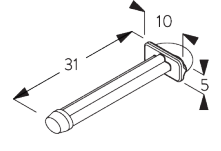
**SG 10762**  
Side guide end cover



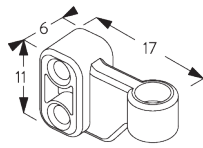
**SG 10772**  
Side guide end cover



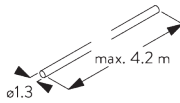
**SG 4944**  
Side guide end cover



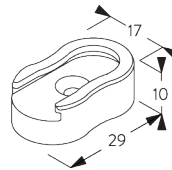
**SG 10641**  
Side guide eyelet



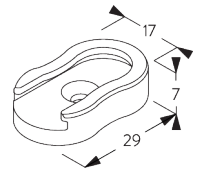
**SG 10642**  
Side guide wire holder



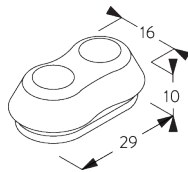
**SG 10643**  
Side guide wire  $\phi$  1.3 mm x 4.2 m



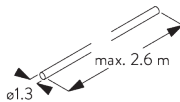
**SG 10669**  
Side guide double base long



**SG 10673**  
Side guide double base short



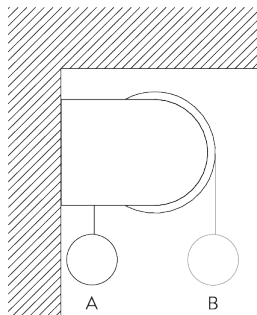
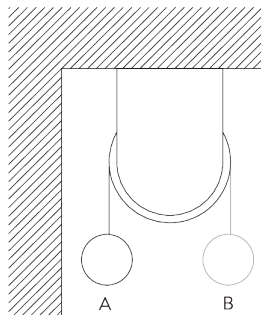
**SG 10701**  
Side guide double wire holder



**SG 10706**  
Side guide wire  $\phi$  1.3 mm x 2.6 m

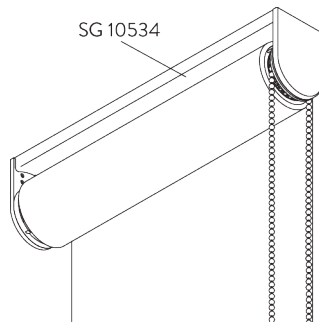
## SYSTEM OPTIONS

### A. FABRIC ROLL-OFF

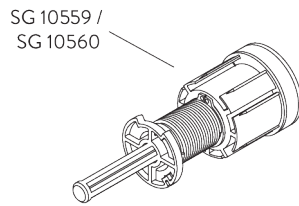


A: Fabric roll-off window side (standard)  
B: Fabric roll-off room side (option)

## B. INSTALLATION PROFILE

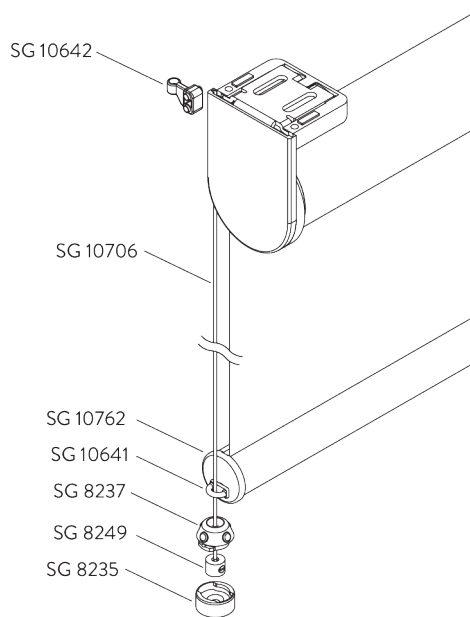


## C. ADJUSTABLE END STOP



Setting of upper or lower end position.

## D. SIDE GUIDES



Additional parts:

- 2x SG 8235 Side guide wire base short
- 2x SG 8237 Side guide wire holder
- 2x SG 8249 Side guide device
- 2x SG 10762 Side guide end cover round
- 2x SG 10641 Side guide eyelet
- 2x SG 10642 Side guide wire holder
- 2x SG 10706 Side guide wire  $\varnothing$  1.3 mm x 2.6 m

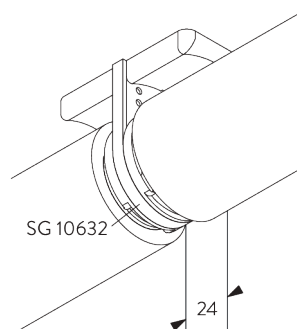
Optional parts:

- 2x SG 8236 Side guide wire base long
- 2x SG 10772 Side guide end cover square
- 2x SG 10643 Side guide wire  $\varnothing$  1.3 mm x 4.2 m
- 1x SG 10669 Side guide double base long
- 1x SG 10673 Side guide double base short
- 1x SG 10701 Side guide double wire holder

Note:

- Light gaps increase when side-guide option is used
- Up to 15° from vertical

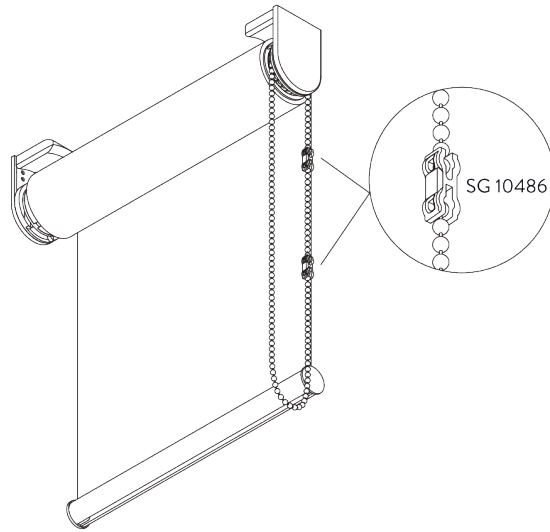
## E. TWO SINGLE SYSTEMS SIDE-BY- SIDE



Additional parts:

- 1x SG 10632 Connection bracket cover

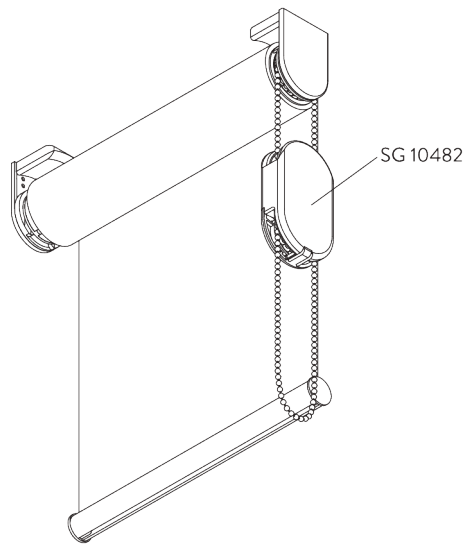
## F. CHILD SAFETY



The chain break connector SG 10486 releases the chain should the pulling force exceed 6 kg.

Note:

- System to be installed so chain loop ends at least 60 cm above floor.

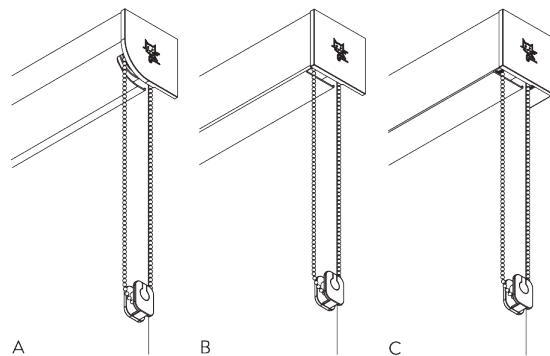


The child safety device SG 10482 releases the chain should the pulling force exceed 6 kg.

Note:

- System to be installed so chain loop of child safety device ends at least 60 cm above floor.

## G. FASCIA / BOX



- A: Fascia round
- B: Fascia square
- C: Box

Size:

- S: 78 x 73 mm
- L: 110 x 110 mm

Note:

- Only applicable with bottom bar SG 11442

# PARTS

## A. STANDARD PARTS



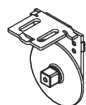
**SG 4226**  
Double tape 30 mm



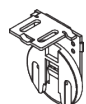
**SG 10530**  
Bead chain metal ø 4 mm



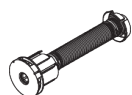
**SG 10531**  
Tube ø 41 mm



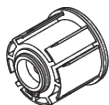
**SG 10542**  
Bracket



**SG 10543**  
Bracket



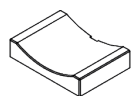
**SG 10547**  
Spring C left, 641 mm



**SG 10556**  
Tube adapter



**SG 10574**  
Bracket cover



**SG 10575**  
Bracket cover



**SG 10668**  
PVC strip 10 mm



**SG 10731**  
Child safety retainer set



**SG 10760**  
Bottom bar



**SG 10761**  
End cover

## B. OPTIONAL PARTS



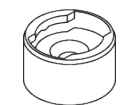
**SG 3044**  
Clamp



**SG 4903**  
Bottom bar



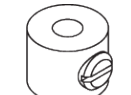
**SG 8235**  
Side guide wire base short



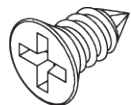
**SG 8236**  
Side guide wire base long



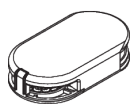
**SG 8237**  
Side guide wire holder



**SG 8249**  
Side guide device



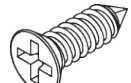
**SG 10139**  
Countersunk screw 2.9x6.5



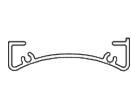
**SG 10482**  
Child safety device set metal chain ø 4.0 mm



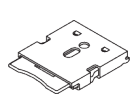
**SG 10486**  
Child safety chain break connector set



**SG 10498**  
Countersunk screw 2.9x9.5



**SG 10534**  
Installation profile



**SG 10539**  
Bracket



**SG 10545**  
Spring A left, 420 mm



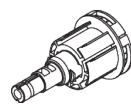
**SG 10546**  
Spring B left, 487 mm



**SG 10548**  
Spring D left, 721 mm



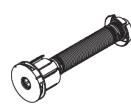
**SG 10549**  
Spring E left, 824 mm



**SG 10550**  
Chain drive



**SG 10551**  
Spring A right, 420 mm



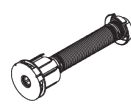
**SG 10552**  
Spring B right, 487 mm



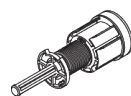
**SG 10553**  
Spring C right, 641 mm



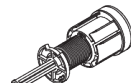
**SG 10554**  
Spring D right, 721 mm



**SG 10555**  
Spring E right, 824 mm



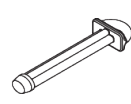
**SG 10559**  
End stop left threads



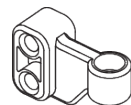
**SG 10560**  
End stop right threads



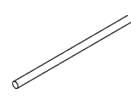
**SG 10632**  
Connection bracket cover



**SG 10641**  
Side guide eyelet



**SG 10642**  
Side guide wire holder



**SG 10643**  
Side guide wire ø 1.3 mm x 4.2 m



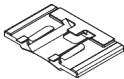
**SG 10669**

Side guide double base long



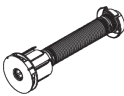
**SG 10673**

Side guide double base short



**SG 10690**

Spacer



**SG 10697**

Spring F left, 921 mm



**SG 10698**

Spring G left, 921 mm



**SG 10699**

Spring F right, 921 mm



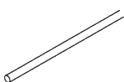
**SG 10700**

Spring G right, 921 mm



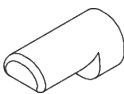
**SG 10701**

Side guide double wire holder



**SG 10706**

Side guide wire ø 1.3 mm x 2.6 m



**SG 10707**

End stop



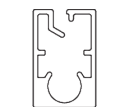
**SG 10709**

Chain stop for ø 4 mm chain



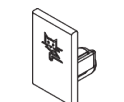
**SG 10762**

Side guide end cover



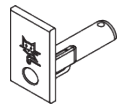
**SG 10770**

Bottom bar



**SG 10771**

End cover



**SG 10772**

Side guide end cover



**SG 11178**

End cover



**SG 11180**

Clamp



**SG 11430**

Installation profile fascia 73 mm



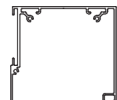
**SG 11431**

Fascia round 73 mm



**SG 11432**

Fascia square 73 mm



**SG 11433**

Box case 73 mm



**SG 11434**

Box cover 73 mm



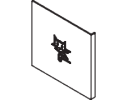
**SG 11437**

Bracket cover round left 73 mm



**SG 11438**

Bracket cover round right 73 mm



**SG 11439**

Bracket cover square left 73 mm



**SG 11440**

Bracket cover square right 73 mm



**SG 11442**

Bottom bar



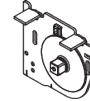
**SG 11443**

End cover



**SG 11446**

Bracket left 73 mm



**SG 11447**

Bracket right 73 mm



**SG 11448**

Bracket left 73 mm



**SG 11449**

Bracket right 73 mm



**SG 11530**

Installation profile fascia 110 mm



**SG 11531**

Fascia round 110 mm



**SG 11532**

Fascia square 110 mm



**SG 11533**

Box case 110 mm



**SG 11534**

Box cover 110 mm



**SG 11537**

Bracket cover round left 110 mm



**SG 11538**

Bracket cover round right 110 mm



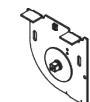
**SG 11539**

Bracket cover square left 110 mm



**SG 11540**

Bracket cover square right 110 mm



**SG 11546**

Bracket left 110 mm



---

**SG 11547**

---

*Bracket right 110 mm*



---

**SG 11548**

---

*Bracket left 110 mm*



---

**SG 11549**

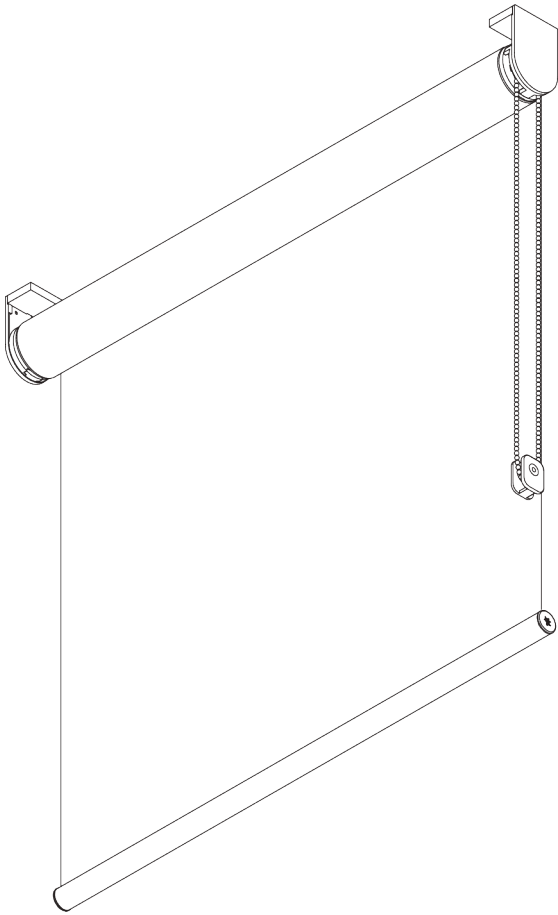
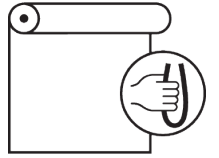
---

*Bracket right 110 mm*

---

# SG 4930

---



## PRODUCT INFORMATION

- **Operation:** chain
- **Range:** M - L
- **Fitting:** ceiling, wall, recess
- **Colours:** white RAL 9016, grey RAL 7035, black RAL 9005; special colours possible
- **Fabrics:** refer to Silent Gliss fabric collection

### **Features:**

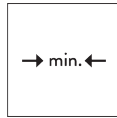
- 5-to-1 gear drive
- Stainless steel bead chain
- Two connected systems
- Click-in brackets
- Fascia, box, installation profile

# SYSTEM SPECIFICATIONS

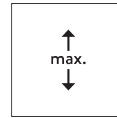
## A. SYSTEM DIMENSIONS



Single system: 3.4 m  
Double system: 6.8 m



65 cm



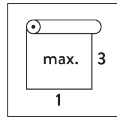
5 m



Single system: 17 m<sup>2</sup>  
Double system: 30 m<sup>2</sup>



7 kg

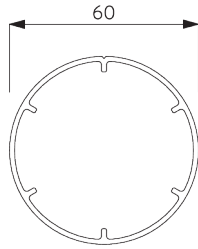


Recommended width /  
height ratio  
max. 1:3



## B. PROFILE

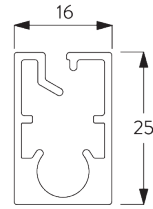
### Profile information



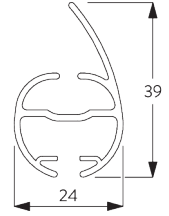
**SG 11037**  
Tube ø 60 mm



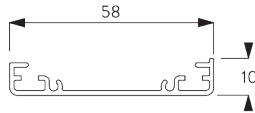
**SG 10760**  
Bottom bar



**SG 10770**  
Bottom bar



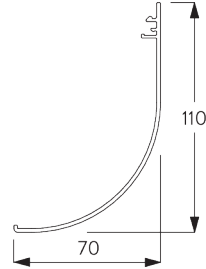
**SG 4903**  
Bottom bar



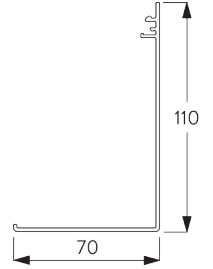
**SG 11181**  
Installation profile



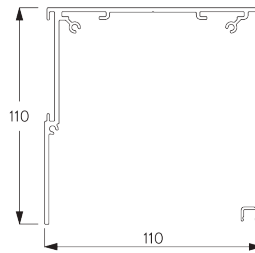
**SG 11530**  
Installation profile fascia 110 mm



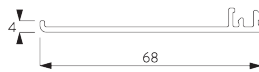
**SG 11531**  
Fascia round 110 mm



**SG 11532**  
Fascia square 110 mm



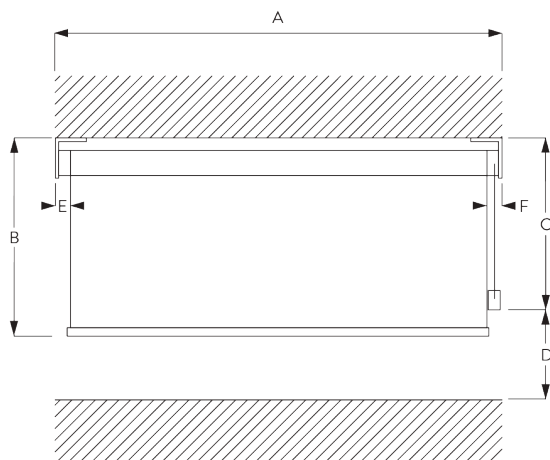
**SG 11533**  
Box case 110 mm



**SG 11534**  
Box cover 110 mm

## C. HOW TO MEASURE

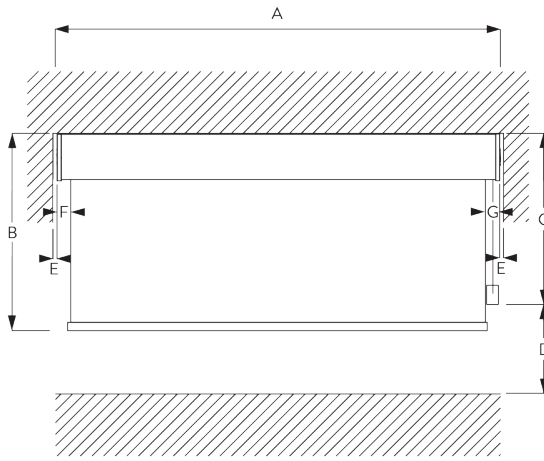
*incl. bracket covers*



- A: System width
- B: System height
- C: Chain height
- D: Safety Retainer SG 10731 min. 150 cm above floor
- E: Light gap: 18 mm
- F: Light gap operation side: 25 mm

Note:  
All measurements include 2 mm for bracket cover per side!  
These can be omitted to reduce side light gaps.

## Fascia / Box



- A: System width
- B: System height
- C: Chain height
- D: Safety Retainer SG 10731 min. 150 cm above floor
- E: Gap: min. 10 mm (when cover is used)
- F: Light gap: 20 mm
- G: Light gap operation side: 27 mm

## D. SPECIFICATION

### TEXT

**Silent Gliss SG 4930 Chain Operated Roller Blind System.** Roller blind system for medium to large size blind applications up to 3.4m wide. Supplied made to measure and complete with barrel SG 11037 and planetary gear and integrated brake to ensure smooth operation and exact stop positions without slippage. Fixed to wall / ceiling / inside recess with SG 11172 / 11175 brackets with side cover SG 11173 to ensure neat appearance. Brackets and hardware in white / grey / black finish. Optional installation profile SG 11181 for easy installation with clamps SG 11180. Optional side guide wires. Double system option can be operated simultaneously by a single chain fitted with SG 11183 connecting bolt. Compliant to Child Safety legislation EN 13120. Fabric to be chosen from the Silent Gliss fabric range, Price Group 1R / 2R / 3R.

# FITTING

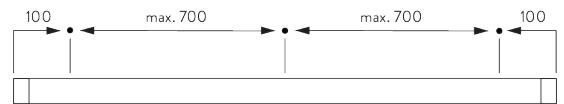
## A. FITTING INFORMATION

For detailed fitting information, visit the Silent Gliss website.

### Fixing points

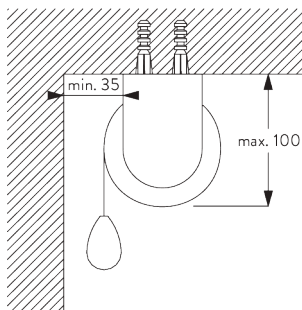


Brackets (wall / ceiling)

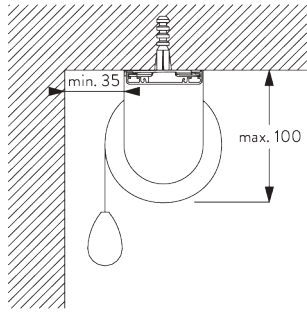


Fascia / box & installation profile SG 11181 (wall / ceiling)

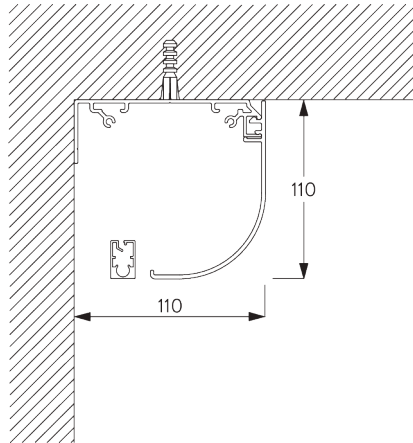
## B. CEILING FITTING



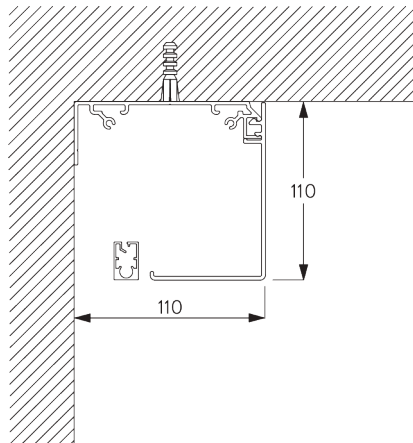
Brackets



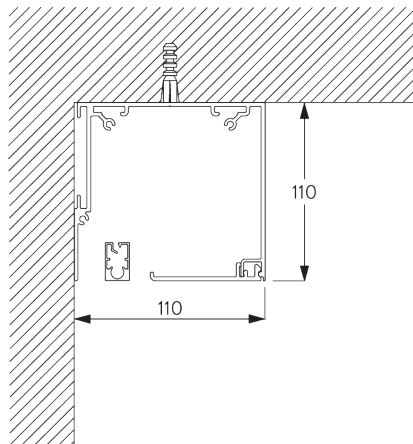
**Installation profile SG 11181 and clamp SG 11180**



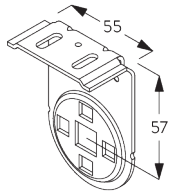
**Fascia round**



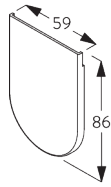
**Fascia square**



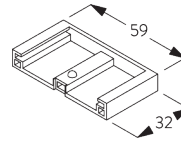
**Box**



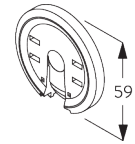
**SG 11172**  
Bracket



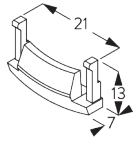
**SG 11173**  
Bracket cover



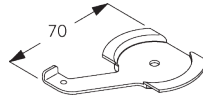
**SG 11174**  
Bracket cover



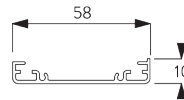
**SG 11175**  
Click flange



**SG 11179**  
Cover

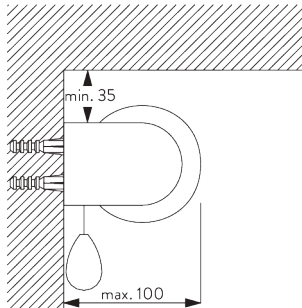


**SG 11180**  
Clamp

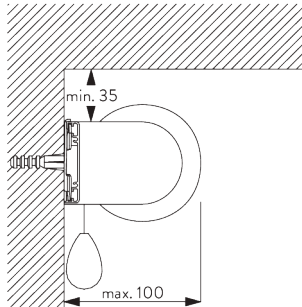


**SG 11181**  
Installation profile

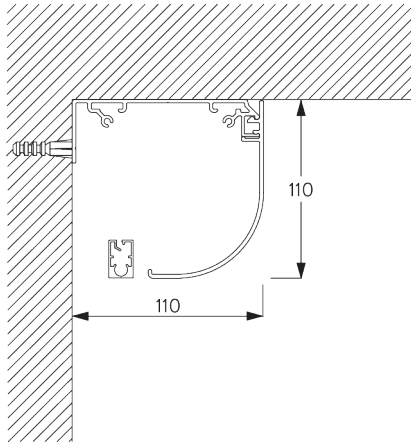
## **C. WALL FITTING**



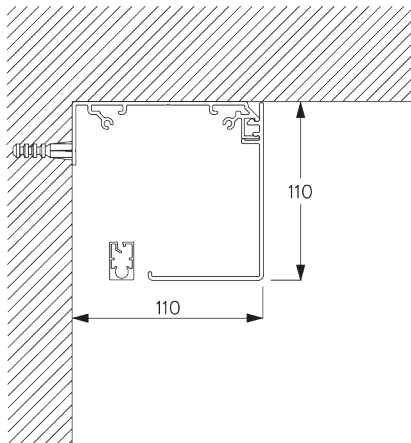
**Brackets**



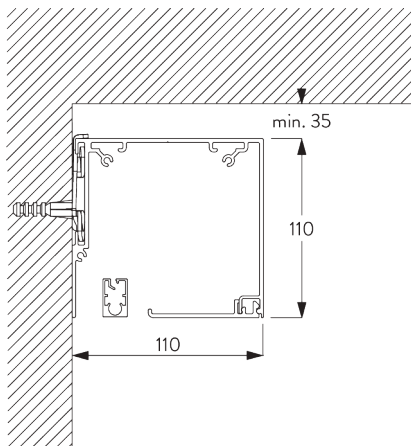
**Installation profile SG 11181 and clamp SG 11180**



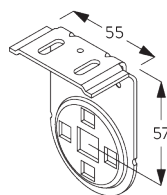
**Fascia round**



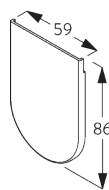
**Fascia square**



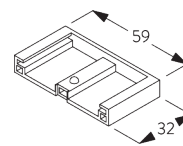
**Box and clamp SG 11180**



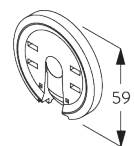
**SG 11172**  
Bracket



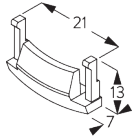
**SG 11173**  
Bracket cover



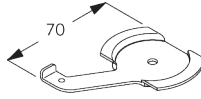
**SG 11174**  
Bracket cover



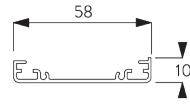
**SG 11175**  
Click flange



**SG 11179**  
Cover

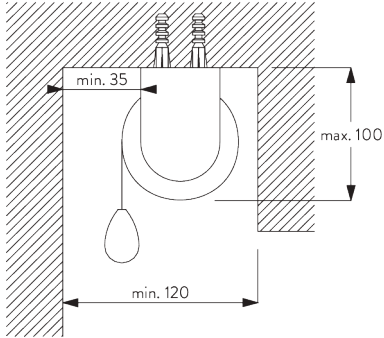


**SG 11180**  
Clamp

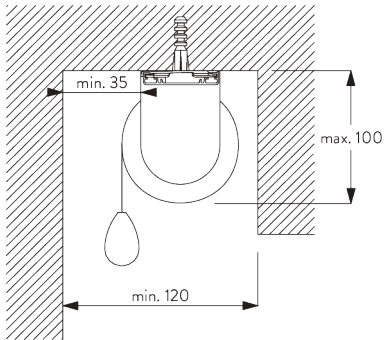


**SG 11181**  
Installation profile

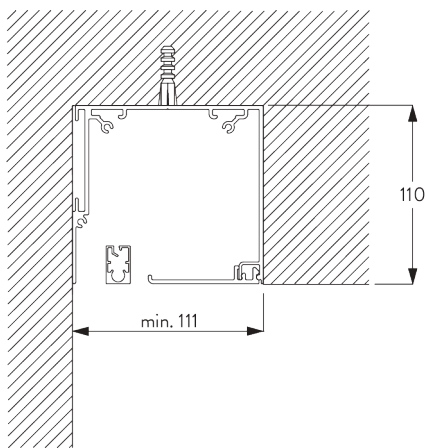
**D. RECESS FITTING**



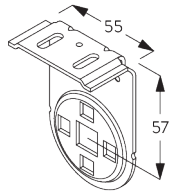
**Brackets**



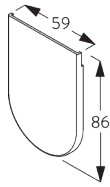
**Installation profile SG 11181 and clamp SG 11180**



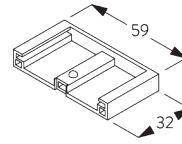
**Box**



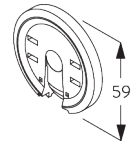
**SG 11172**  
Bracket



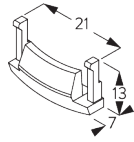
**SG 11173**  
Bracket cover



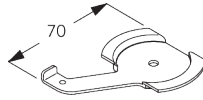
**SG 11174**  
Bracket cover



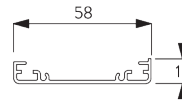
**SG 11175**  
Click flange



**SG 11179**  
Cover

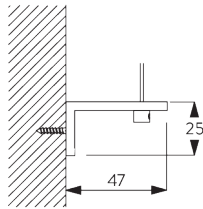


**SG 11180**  
Clamp

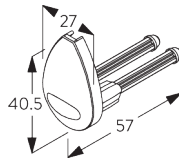
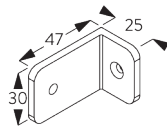


**SG 11181**  
Installation profile

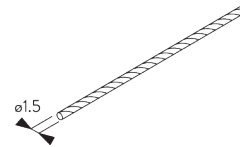
**E. FITTING WITH  
SIDE GUIDE  
OPTION**



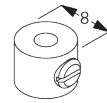
**SG 3036**  
Bracket 47 mm



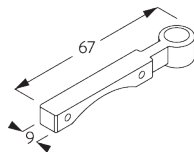
**SG 4944**  
Side guide end cover



**SG 4948**  
Side guide wire  $\varnothing 1.5$  mm



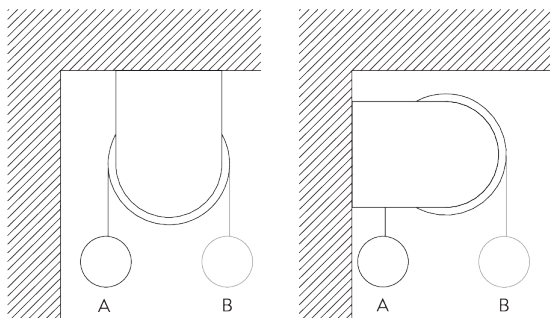
**SG 8249**  
Side guide device



**SG 11182**  
Side guide wire holder

# SYSTEM OPTIONS

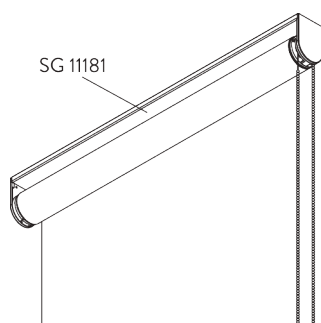
## A. FABRIC ROLL-OFF



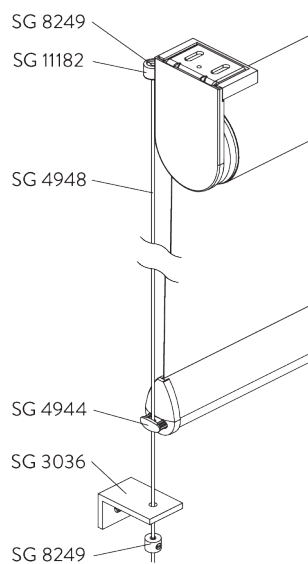
A: Fabric roll-off window side (standard)

B: Fabric roll-off room side (option)

## B. INSTALLATION PROFILE



## C. SIDE GUIDES



Additional parts:

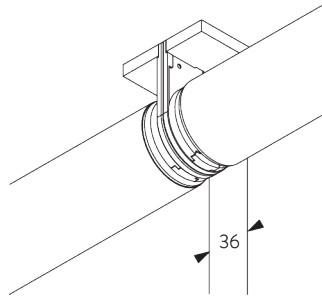
- 2x SG 3036 Bracket
- 2x SG 4944 Side guide end cover
- 2x SG 4948 Side guide wire  $\varnothing$  1.5 mm
- 4x SG 8249 Side guide device
- 2x SG 1182 Side guide wire holder

Note:

- Light gaps increase when side-guide option is used
- Up to 15° from vertical
- Only applicable with bottom bar SG 4903



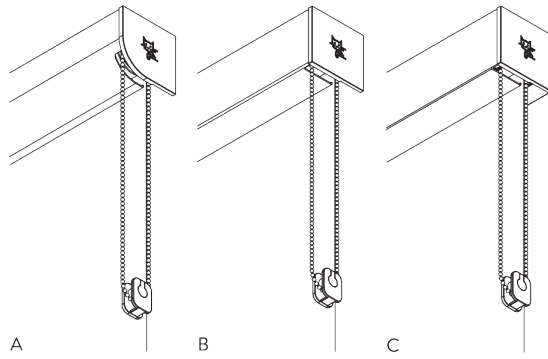
**D. TWO CONNECTED SYSTEMS**



Additional parts:

- 1x SG 11175 Click flange
- 1x SG 11183 Connecting bolt
- 2x SG 11184 Connection bracket cover
- 1x SG 11195 Connection tube adapter

**E. FASCIA / BOX**



- A: Fascia round
- B: Fascia square
- C: Box

Size:

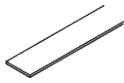
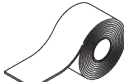




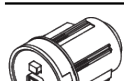
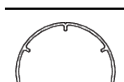
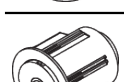
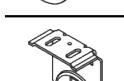
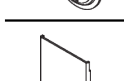


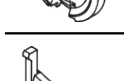
- 110 x 110 mm

Note:







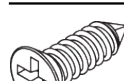


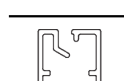
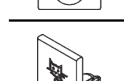
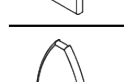

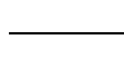
- Only applicable with bottom bar SG 10770
- Not possible with connected systems

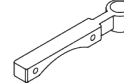
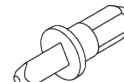
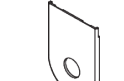

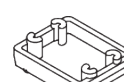
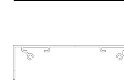
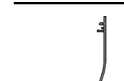
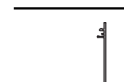
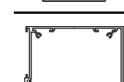
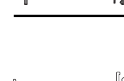




# PARTS

## A. STANDARD PARTS

	<b>SG 4223</b> PVC strip 14 mm
	<b>SG 4226</b> Double tape 30 mm
	<b>SG 4845</b> Bead chain metal ø 4.5 mm
	<b>SG 10731</b> Child safety retainer set
	<b>SG 10760</b> Bottom bar
	<b>SG 10761</b> End cover
	<b>SG 10962</b> Chain drive
	<b>SG 11037</b> Tube ø 60 mm
	<b>SG 11165</b> Tube adapter
	<b>SG 11172</b> Bracket
	<b>SG 11173</b> Bracket cover
	<b>SG 11174</b> Bracket cover
	<b>SG 11175</b> Click flange
	<b>SG 11179</b> Cover

## B. OPTIONAL PARTS

	<b>SG 3036</b> Bracket 47 mm
	<b>SG 4903</b> Bottom bar
	<b>SG 4944</b> Side guide end cover
	<b>SG 4948</b> Side guide wire ø 1.5 mm
	<b>SG 8249</b> Side guide device
	<b>SG 10139</b> Countersunk screw 2.9x6.5
	<b>SG 10498</b> Countersunk screw 2.9x9.5
	<b>SG 10668</b> PVC strip 10 mm
	<b>SG 10707</b> End stop
	<b>SG 10770</b> Bottom bar
	<b>SG 10771</b> End cover
	<b>SG 11178</b> End cover
	<b>SG 11180</b> Clamp
	<b>SG 11181</b> Installation profile

	<b>SG 11182</b> Side guide wire holder
	<b>SG 11183</b> Connection bolt
	<b>SG 11184</b> Connection bracket cover
	<b>SG 11195</b> Connection tube adapter
	<b>SG 11311</b> Bracket spacer
	<b>SG 11530</b> Installation profile fascia 110 mm
	<b>SG 11531</b> Fascia round 110 mm
	<b>SG 11532</b> Fascia square 110 mm
	<b>SG 11533</b> Box case 110 mm
	<b>SG 11534</b> Box cover 110 mm
	<b>SG 11537</b> Bracket cover round left 110 mm
	<b>SG 11538</b> Bracket cover round right 110 mm
	<b>SG 11539</b> Bracket cover square left 110 mm
	<b>SG 11540</b> Bracket cover square right 110 mm



---

**SG 11544**

---

*Bracket left 110 mm*



---

**SG 11545**

---

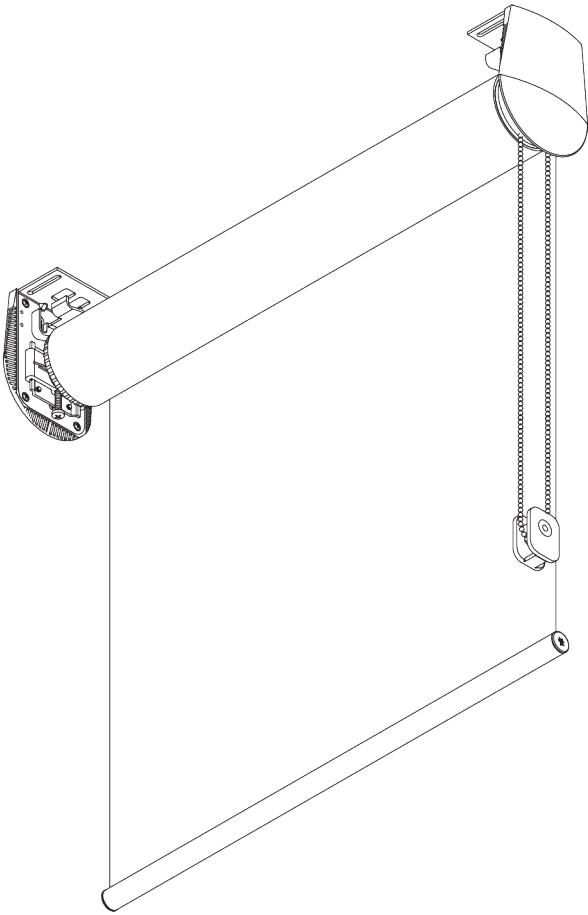
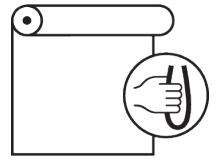
*Bracket right 110 mm*

---



# SG 4840

---



## PRODUCT INFORMATION

- **Operation:** chain
- **Range:** L
- **Fitting:** ceiling, wall, recess
- **Colours:** white RAL 9016; special colours or anodised aluminum possible
- **Fabrics:** refer to Silent Gliss fabric collection

### **Features:**

- Stainless steel bead chain
- Stainless steel brackets, adjustable for vertical alignment of fabric

# SYSTEM SPECIFICATIONS

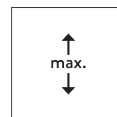
## A. SYSTEM DIMENSIONS



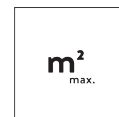
Tube SG 4957: 5 m  
Tube SG 4901: 4 m



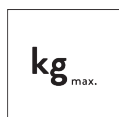
50 cm



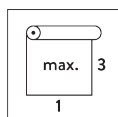
Tube SG 4957: 3.75 m  
Tube SG 4901: 6 m



15 m<sup>2</sup>



Tube SG 4957: 9.5 kg  
Tube SG 4901: 12.5 kg



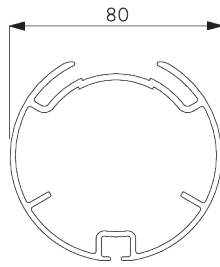
Recommended width /  
height ratio  
max. 1:3

## Maximum surface area

		A →								
		2 m	2.5 m	3 m	3.5 m	4 m	4.5 m	5 m		
B ↓	2 m	●	●	●	●	○	○	○	 ● SG 4901 (ø 80 mm)	
	2.5 m	●	●	●	●	○	○	○		
	3 m	●	●	●	●	○	○	○		
	3.5 m	●	●	●	●	○				
	4 m	●	●	●	●				 ○ SG 4957 (ø 110 mm)	
	4.5 m	●	●	●						
	5 m	●	●	●						
	5.5 m	●	●		max. 15 m <sup>2</sup>					
6 m	●	●								

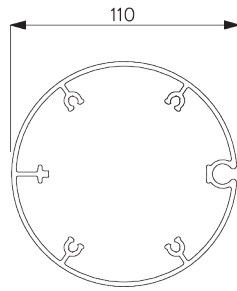
## B. PROFILE

### Profile information



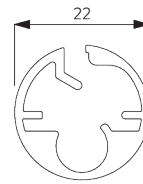
**SG 4901**

Tube ø 80 mm



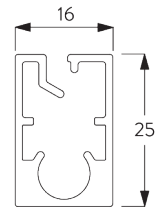
**SG 4957**

Tube ø 110 mm



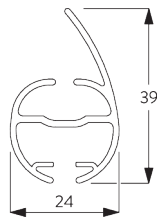
**SG 10760**

Bottom bar



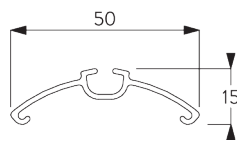
**SG 10770**

Bottom bar



**SG 4903**

Bottom bar

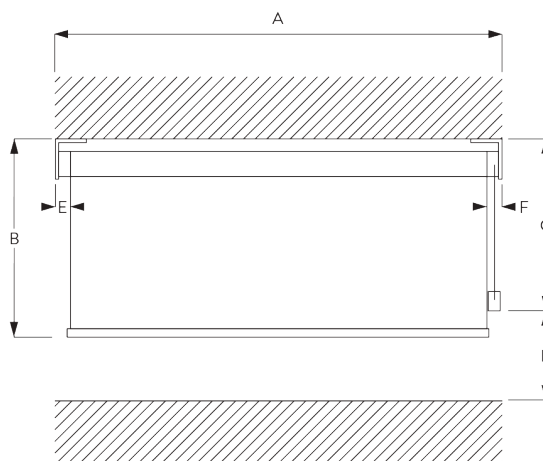


**SG 4902**

Profile

## C. HOW TO MEASURE

incl. bracket covers  
(15 mm)



A: System width

B: System height

C: Chain height

D: Safety Retainer SG 10731 min. 150 cm above floor

Tube SG 4901 (ø 80 mm):

E: Light gap: 44 mm

F: Light gap operation side: 40 mm

Tube SG 4957 (ø 110 mm):

E: Light gap: 42 mm

F: Light gap operation side: 42 mm

Note:

All measurements include 15 mm for bracket cover per side!  
These can be omitted to reduce side light gaps.

## D. SPECIFICATION TEXT

**Silent Gliss SG 4840 chain operated roller blind system for very heavy duty applications.** Assembled complete with anodised aluminium headrail. Smooth light operation thanks to the planetary gear and no slippage due to the integrated brake. Incorporates Silent Gliss patented Quick Twist for easy on-site adjustment of the headrail to prevent fabric roll off. Fix to wall/ceiling/inside recess with stainless steel bracket combination set SG 4944 incorporating hook on plates to take weight of blind during installation. Optional bracket covers. Fabrics to be selected from Silent Gliss range.

# FITTING

## A. FITTING INFORMATION

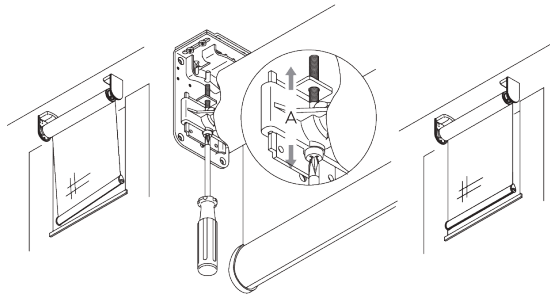
For detailed fitting information, visit the Silent Gliss website.

### Fixing points



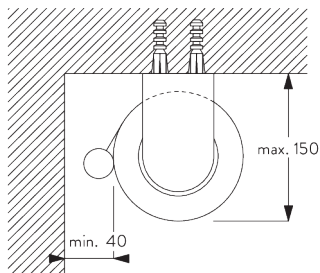
\*30 mm without cover  
\*43 mm with cover

### Adjustable brackets (for vertical adjustments)

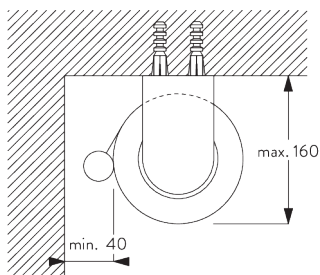


Vertical adjustment of fabric to the window frame.

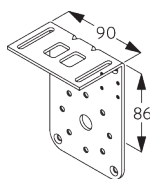
## B. CEILING FITTING



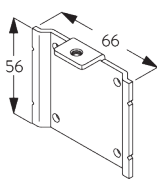
Tube SG 4901 (ø 80 mm)



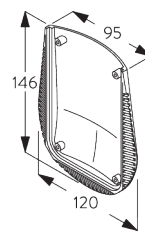
Tube SG 4957 (ø 110 mm)



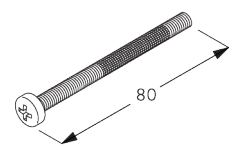
**SG 4904**  
Bracket (set SG 4949)



**SG 4906**  
Plate (set SG 4949)



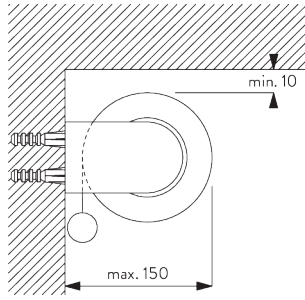
**SG 4956**  
Bracket cover



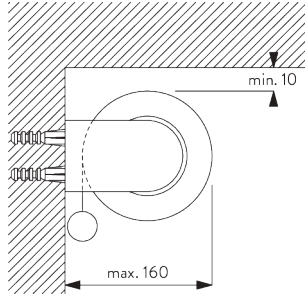
**SG 4966**  
Special screw (set SG 4949)



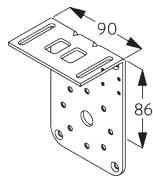
**C. WALL FITTING**



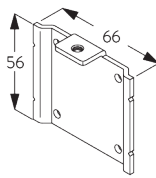
Tube SG 4901 (ø 80 mm)



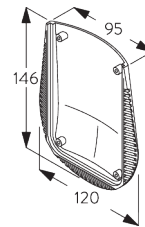
Tube SG 4957 (ø 110 mm)



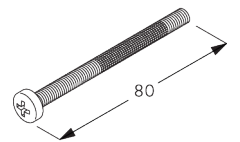
**SG 4904**  
Bracket (set SG 4949)



**SG 4906**  
Plate (set SG 4949)

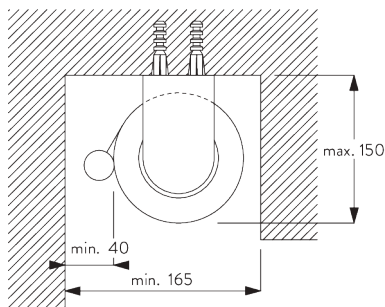


**SG 4956**  
Bracket cover

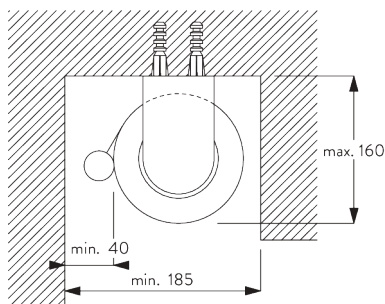


**SG 4966**  
Special screw (set SG 4949)

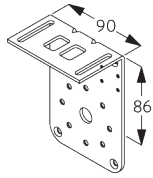
**D. RECESS FITTING**



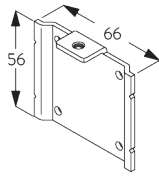
Tube SG 4901 (ø 80 mm)



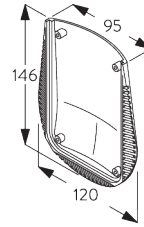
Tube SG 4957 (ø 110 mm)



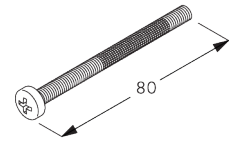
**SG 4904**  
Bracket (set SG 4949)



**SG 4906**  
Plate (set SG 4949)

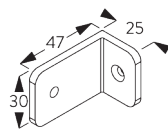
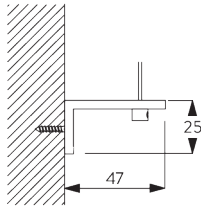


**SG 4956**  
Bracket cover

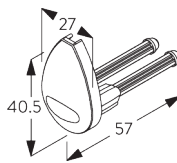


**SG 4966**  
Special screw (set SG 4949)

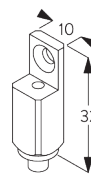
**E. FITTING WITH  
SIDE GUIDE  
OPTION**



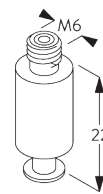
**SG 3036**  
Bracket 47 mm



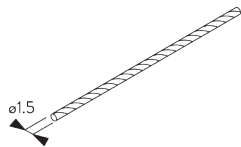
**SG 4944**  
Side guide end cover



**SG 4946**  
Side guide wire rope fastener



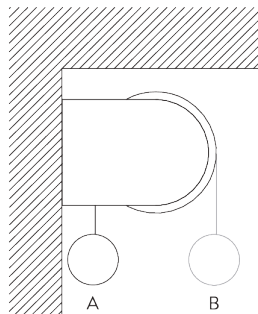
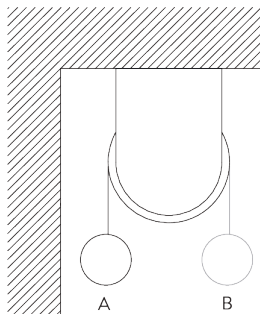
**SG 4947**  
Side guide wire rope fastener



**SG 4948**  
Side guide wire  $\varnothing$  1.5 mm

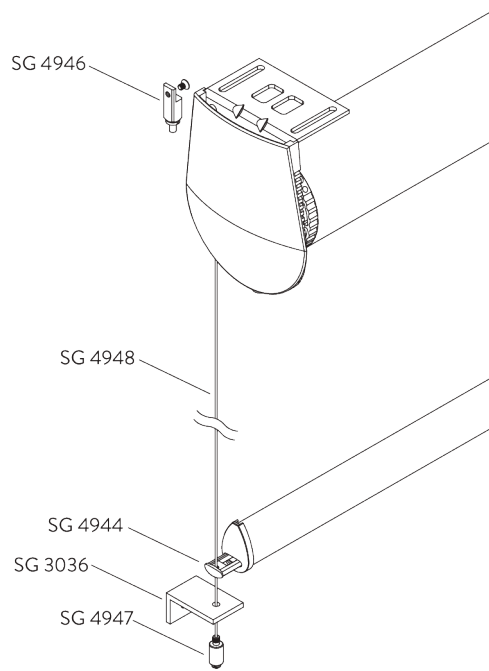
# SYSTEM OPTIONS

**A. FABRIC ROLL-OFF**



A: Fabric roll-off window side (standard)  
B: Fabric roll-off room side (option)

## **B. SIDE GUIDES**



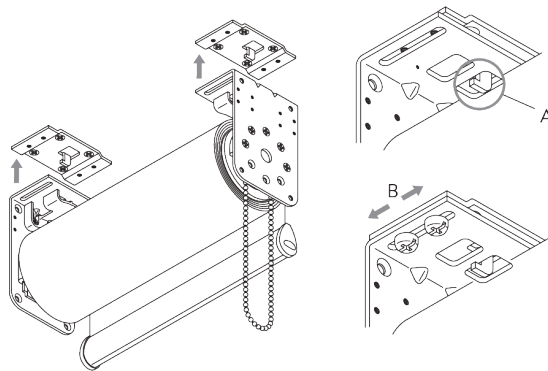
Additional parts:

- 2x SG 3036 Bracket 47 mm
- 2x SG 4944 Side guide end cover
- 2x SG 4946 Side guide wire rope fastener
- 2x SG 4947 Side guide wire rope fastener
- 2x SG 4948 Side guide wire  $\varnothing$  1.5 mm

Note:

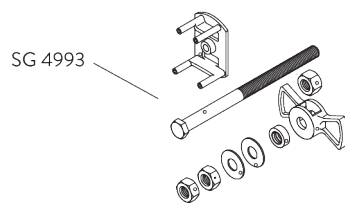
- Light gaps increase when side-guide option is used
- Up to 15° from vertical

## **C. HOOK-IN INSTALLATION PLATES**



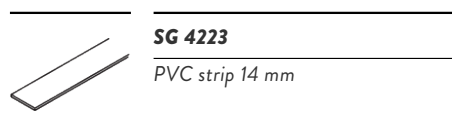
A: Hook-in plates SG 4972 take the weight of the blind  
B: Brackets sideways adjustable by up to 18 mm

## **D. ADJUSTABLE END STOP**

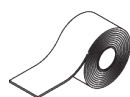


# PARTS

## A. STANDARD PARTS



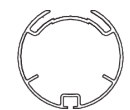
**SG 4223**  
PVC strip 14 mm



**SG 4226**  
Double tape 30 mm



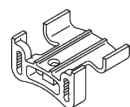
**SG 4845**  
Bead chain metal ø 4.5 mm



**SG 4901**  
Tube ø 80 mm



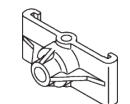
**SG 4902**  
Profile



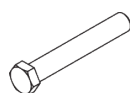
**SG 4908**  
End stop



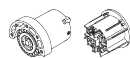
**SG 4914**  
Tube adapter



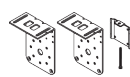
**SG 4915**  
Support



**SG 4939**  
Shaft



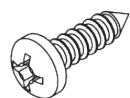
**SG 4941**  
Chain drive set



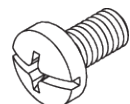
**SG 4949**  
Bracket set



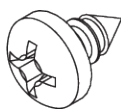
**SG 4956**  
Bracket cover



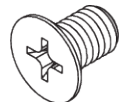
**SG 10503**  
Pan head screw 3.5x13



**SG 10505**  
Pan head screw Freedrive M4x8



**SG 10507**  
Pan head screw 3.5x6.5



**SG 10509**  
Countersunk head screw M5x8



**SG 10731**  
Child safety retainer set



**SG 10760**  
Bottom bar

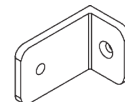


**SG 10761**  
End cover

## B. OPTIONAL PARTS



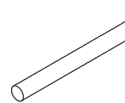
**SG 2006**  
Bottom bar 28x3 mm



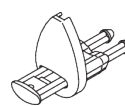
**SG 3036**  
Bracket 47 mm



**SG 4903**  
Bottom bar



**SG 4943**  
Rod ø 4 mm



**SG 4944**  
Side guide end cover



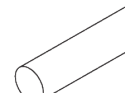
**SG 4946**  
Side guide wire rope fastener



**SG 4947**  
Side guide wire rope fastener



**SG 4948**  
Side guide wire ø 1.5 mm



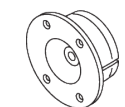
**SG 4951**  
Bottom weight ø 8 mm



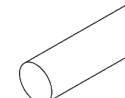
**SG 4957**  
Tube ø 110 mm



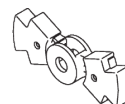
**SG 4958**  
Tube adapter



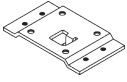
**SG 4961**  
Tube adapter



**SG 4963**  
Rod ø 6 mm



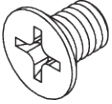
**SG 4965**  
End stop flange



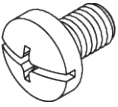
**SG 4972**  
*Installation plate*



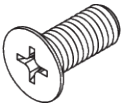
**SG 4993**  
*End stop set*



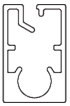
**SG 10502**  
*Countersunk head screw M4x6*



**SG 10504**  
*Pan head screw Freedrive M5x8*



**SG 10508**  
*Countersunk head screw M5x12*



**SG 10770**  
*Bottom bar*



**SG 10771**  
*End cover*

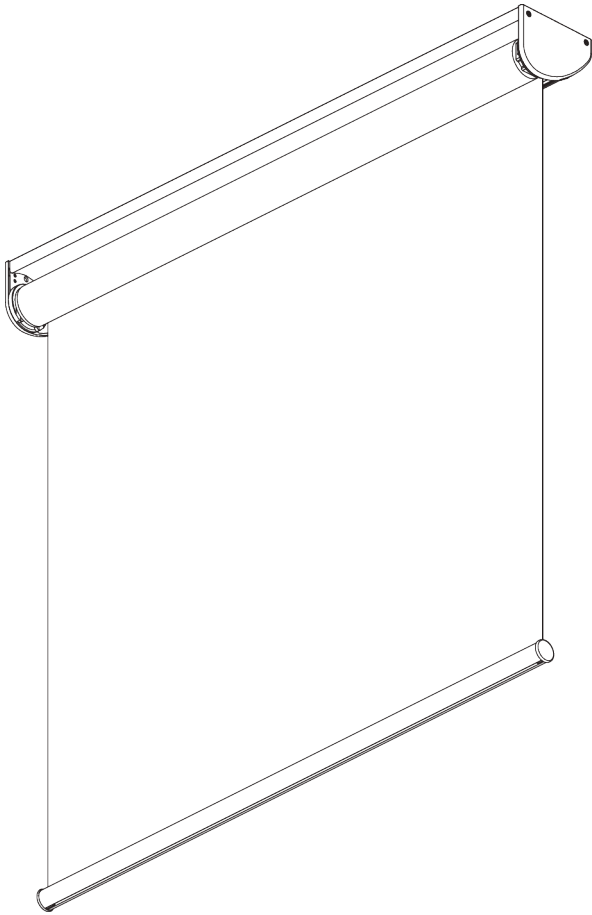
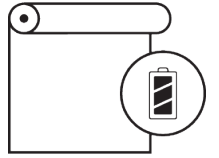


**SG 11178**  
*End cover*



# SG 4955

---



## PRODUCT INFORMATION

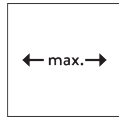
- **Operation:** motorised (battery operated)
- **Range:** S - M
- **Fitting:** ceiling, wall, recess
- **Colours:** white RAL 9016; special colours or anodised aluminum possible
- **Fabrics:** refer to Silent Gliss fabric collection

### **Features:**

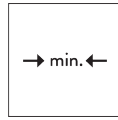
- Various control options
- Easy exchange of batteries
- Click-in brackets
- Installation profile

# SYSTEM SPECIFICATIONS

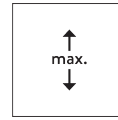
## A. SYSTEM DIMENSIONS



2.4 m



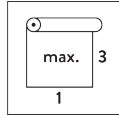
60 cm



4 m



2.5 kg



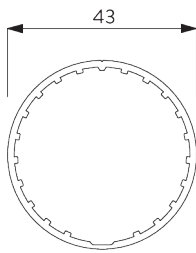
Recommended width /  
height ratio  
max. 1:3

## Maximum system drop

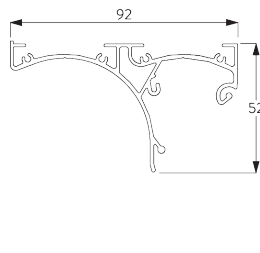
Fabric thickness	mm	0.15	0.20	0.25	0.30	0.35	0.40	0.45	0.50	0.55	0.60	0.65	0.70	0.75	0.80
Max. system drop	cm	400	400	400	400	400	400	390	350	320	290	270	250	230	220

## B. PROFILE

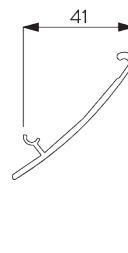
### Profile information



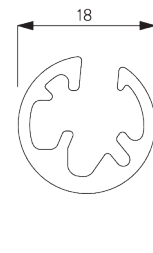
**SG 10532**  
Tube ø 43 mm



**SG 11081**  
Profile

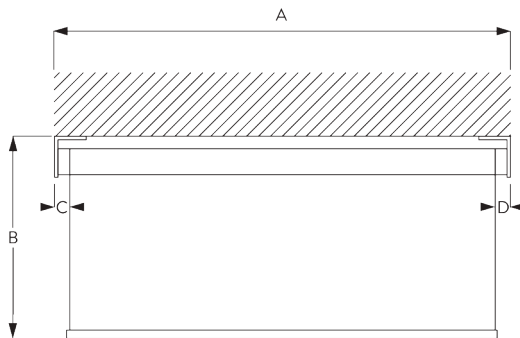


**SG 11082**  
Profile



**SG 10872**  
Bottom bar

## C. HOW TO MEASURE



A: System width  
B: System height  
C: Light gap: 14 mm  
D: Light gap operation side: 17 mm





## **D. SPECIFICATION** **TEXT**

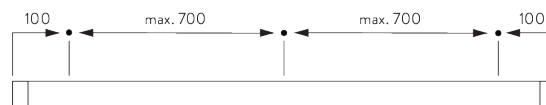
**Silent Gliss SG 4955 Battery Operated Roller Blind System.** Roller blind. Roller blind system for light to medium size blind applications up to 2.4m wide. Supplied made to measure and complete comprising anodised aluminium barrel SG 10532 and profile cover SG 11081 with lid SG 11082. Fixed to wall / ceiling / inside recess with clamp SG 3044 or direct fixed with installation support plate SG 11086. Integral motor SG 11076 with battery pack concealed in fascia profile. Powered by 8no. lithium AA cells. Round bottom bar SG 4221 in powder coated white (other shapes and colours available). Operation by single channel radio wall switch SG 10949 as standard. Other optional control options are two channel wall switch SG 10950 and five channel wall switch SG 10951. Optional radio remote handsets are also available (single channel SG 10946 / two channel SG 10947 / six channel SG 10948).

# **FITTING**

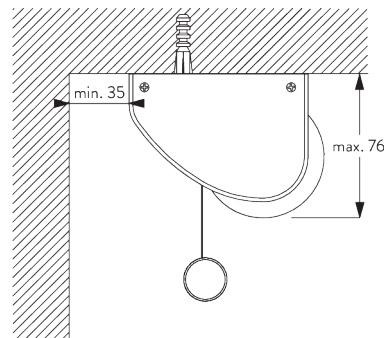
## **A. FITTING** **INFORMATION**

For detailed fitting information, visit the Silent Gliss website.

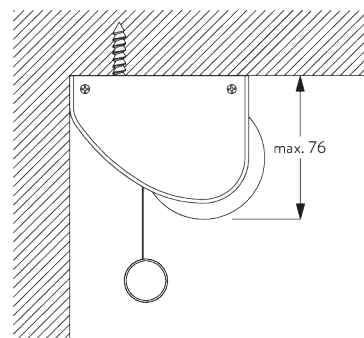
### **Fixing points**



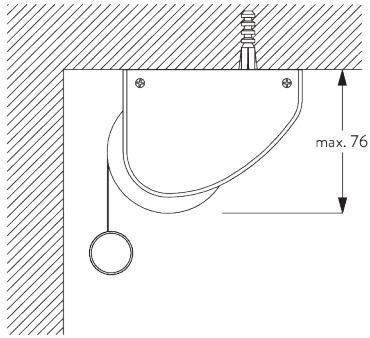
## **B. CEILING FITTING**



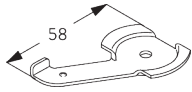
**Clamp SG 3044**



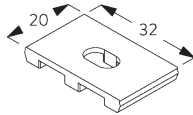
**Direct fitting**



**Reversed fitting**

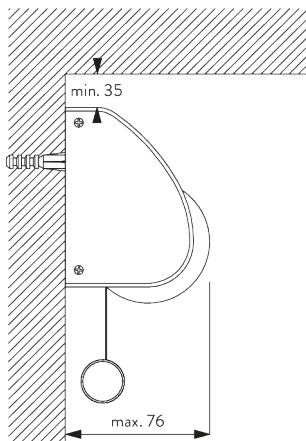


**SG 3044**  
Clamp

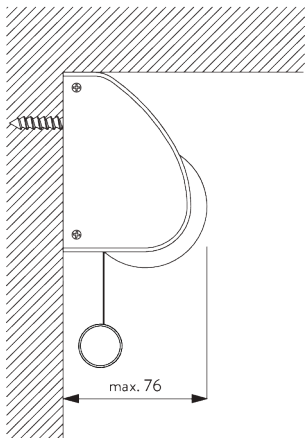


**SG 11086**  
Installation support plate

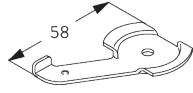
**C. WALL FITTING**



**Clamp SG 3044**

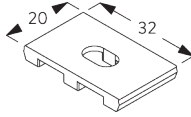


**Direct fitting**



**SG 3044**

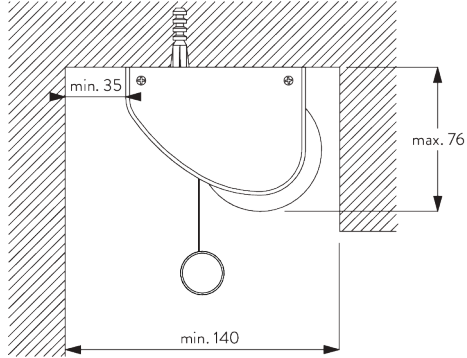
*Clamp*



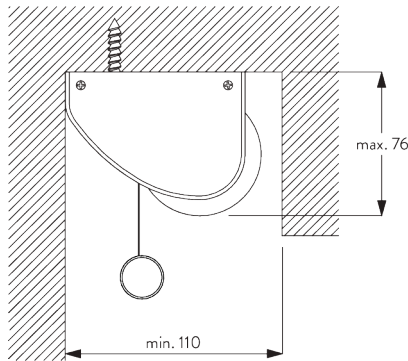
**SG 11086**

*Installation support plate*

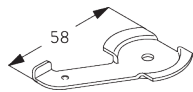
## **D. RECESS FITTING**



**Clamp SG 3044**

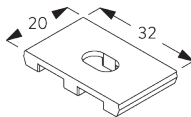


**Direct fitting**



**SG 3044**

*Clamp*

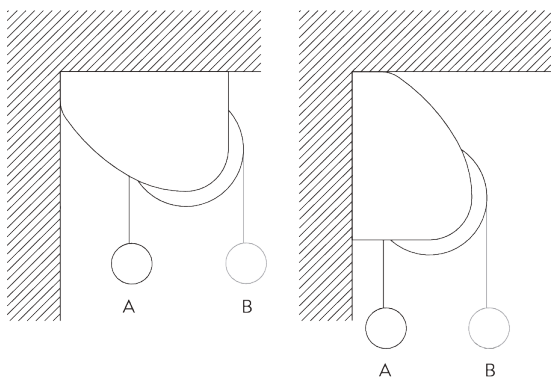


**SG 11086**

*Installation support plate*

# SYSTEM OPTIONS

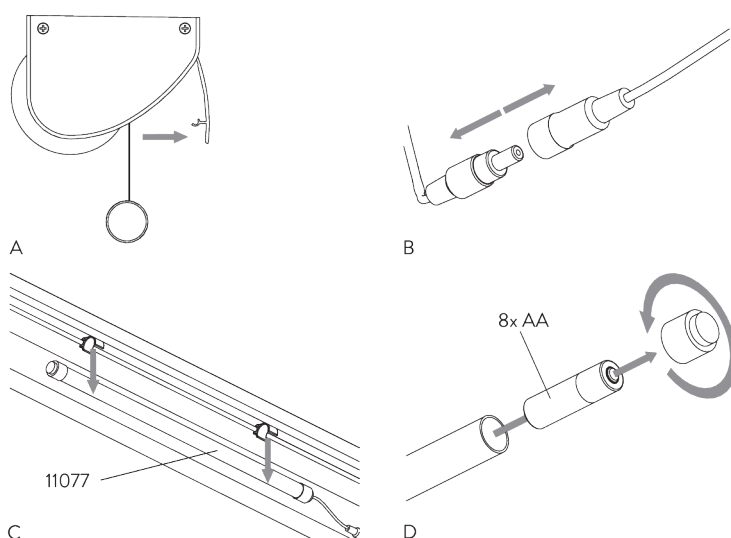
## A. FABRIC ROLL-OFF



A: Fabric roll-off window side (standard)

B: Fabric roll-off room side (option)

## B. BATTERY EXCHANGE



# MOTOR & CONTROLS

## A. MOTOR FEATURES

Motor	SG 11076
<b>Motor Features</b>	
Soft start / stop	•
Built-in receiver	•
Electronic end-stop	•
Electronic revolution counter (unlimited revolution)	•
IP class	IP 44
<b>Control Features</b>	
SG Control A	•

## **B. MOTOR** **SPECIFICATIONS**

Motor	Light gaps C / D = driving side	Min. system width	Voltage	Current	Speed	Frequency receiver
SG 11076	C: 14 mm / D: 17 mm	60 cm	12 V DC	0.55 A	30 rpm	433 MHz

## **C. OPERATION** **METHODS**

*See catalogue "controls" for details.*

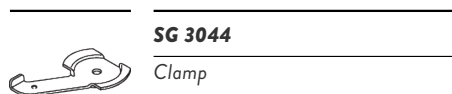
### **SG Control A**



*Various radio hand-held and wall transmitters available.*

# PARTS

## A. STANDARD PARTS



**SG 3044**

Clamp



**SG 4226**

Double tape 30 mm



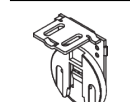
**SG 10498**

Countersunk screw 2.9x9.5



**SG 10532**

Tube  $\varnothing$  43 mm



**SG 10543**

Bracket



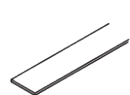
**SG 10544**

Bracket



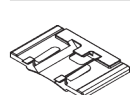
**SG 10557**

Tube adapter



**SG 10668**

PVC strip 10 mm



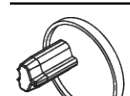
**SG 10690**

Spacer



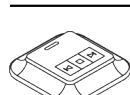
**SG 10872**

Bottom bar



**SG 10874**

End cover



**SG 10949**

Radio wall transmitter 1 channel



**SG 11039**

Cable protector



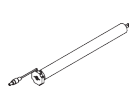
**SG 11072**

Motor drive



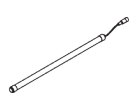
**SG 11075**

Tube adapter



**SG 11076**

Motor 12V DC, 1.2/30



**SG 11077**

Battery box



**SG 11081**

Profile



**SG 11082**

Profile



**SG 11083**

End cover right



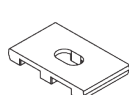
**SG 11084**

End cover left



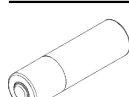
**SG 11085**

Battery box holder



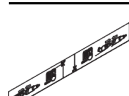
**SG 11086**

Installation support plate



**SG 11099**

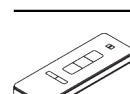
AA Energizer Ultimate lithium batteries



**SG 11103**

Warning sticker

## B. OPTIONAL PARTS



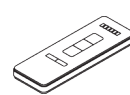
**SG 10946**

Radio hand held 1 channel



**SG 10947**

Radio hand held 2+1 channel



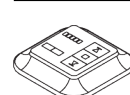
**SG 10948**

Radio hand held 6+1 channel



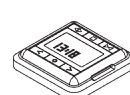
**SG 10950**

Radio wall transmitter 2 channel



**SG 10951**

Radio wall transmitter 5+1 channel

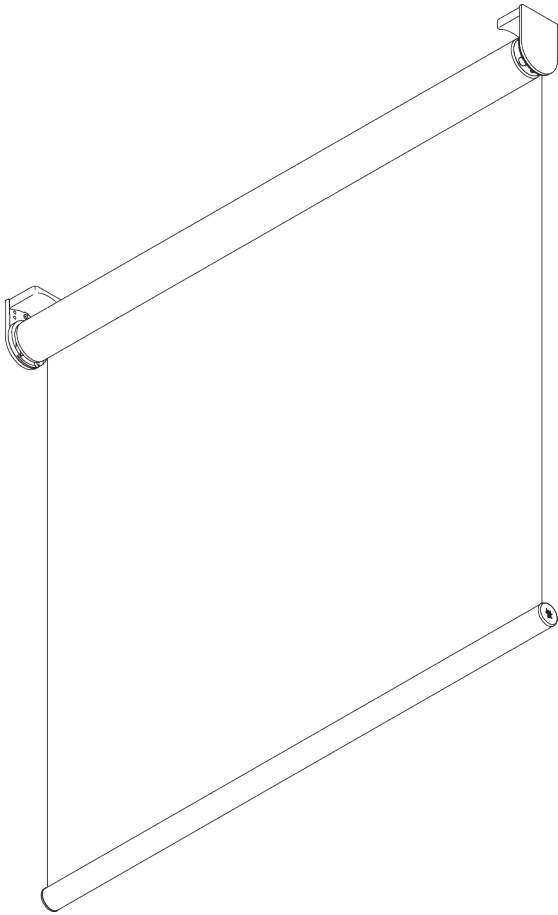
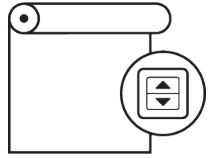


**SG 11429**

Radio timer unit 1 channel

# SG 4960

---



## **PRODUCT INFORMATION**

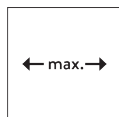
- **Operation:** motorised
- **Range:** S - M
- **Fitting:** ceiling, wall, recess
- **Colours:** white RAL 9016, grey RAL 7035, black RAL 9005; special colours possible
- **Fabrics:** refer to Silent Gliss fabric collection

### **Features:**

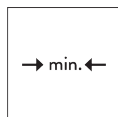
- Quiet and fast motors, soft stop
- Various control options
- Two connected systems
- Click-in brackets
- Fascia, box, installation profile

# SYSTEM SPECIFICATIONS

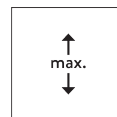
## A. SYSTEM DIMENSIONS



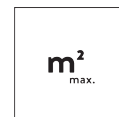
Single system: 2.4 m  
Double system: 4.8 m



61 cm\*  
\*see motor specification table



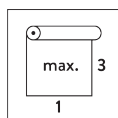
4 m



Single system: 9.6 m<sup>2</sup>  
Double system: 19.2 m<sup>2</sup>



5.5 kg



Recommended width /  
height ratio  
max. 1:3

## Maximum system drop

### Wall fitting (system drop on window side)

Fabric thickness	mm	0.15	0.20	0.25	0.30	0.35	0.40	0.45	0.50	0.55	0.60	0.65	0.70	0.75	0.80
Max. system drop	cm	400	400	400	400	400	400	390	350	320	290	270	250	230	220

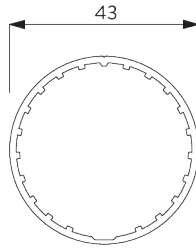
### Ceiling fitting / wall fitting (system drop on room side)

Fabric thickness	mm	0.15	0.20	0.25	0.30	0.35	0.40	0.45	0.50	0.55	0.60	0.65	0.70	0.75	0.80
Max. system drop	cm	400	400	400	400	400	400	400	400	400	380	350	330	300	280



## B. PROFILE

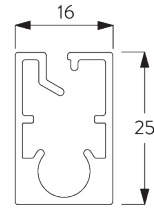
### Profile information



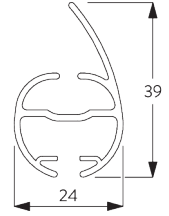
**SG 10532**  
Tube ø 43 mm



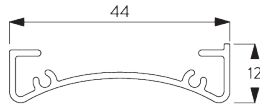
**SG 10760**  
Bottom bar



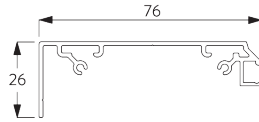
**SG 10770**  
Bottom bar



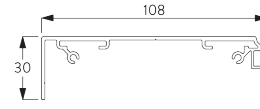
**SG 4903**  
Bottom bar



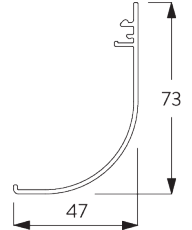
**SG 10534**  
Installation profile



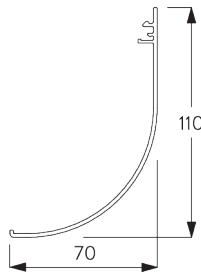
**SG 11430**  
Installation profile fascia 73 mm



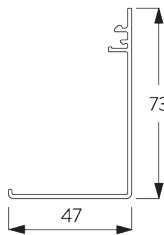
**SG 11530**  
Installation profile fascia 110 mm



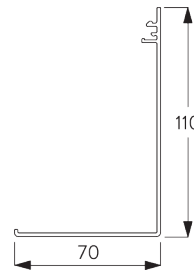
**SG 11431**  
Fascia round 73 mm



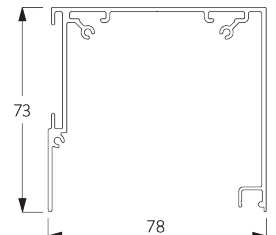
**SG 11531**  
Fascia round 110 mm



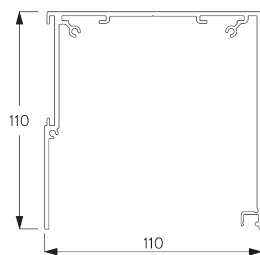
**SG 11432**  
Fascia square 73 mm



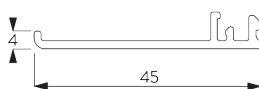
**SG 11532**  
Fascia square 110 mm



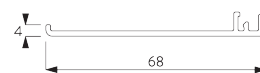
**SG 11433**  
Box case 73 mm



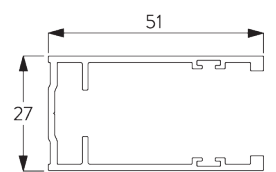
**SG 11533**  
Box case 110 mm



**SG 11434**  
Box cover 73 mm



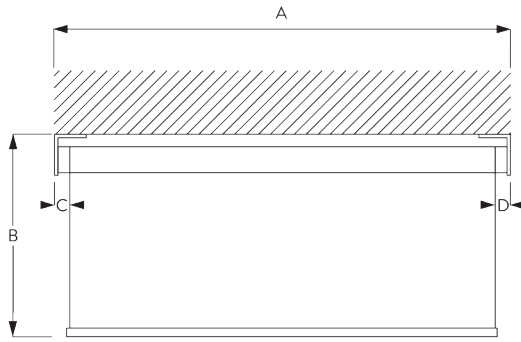
**SG 11534**  
Box cover 110 mm



**SG 11542**  
Side guide channel

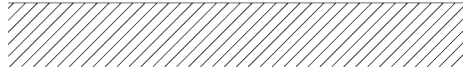
**C. HOW TO  
MEASURE**

*incl. bracket covers*

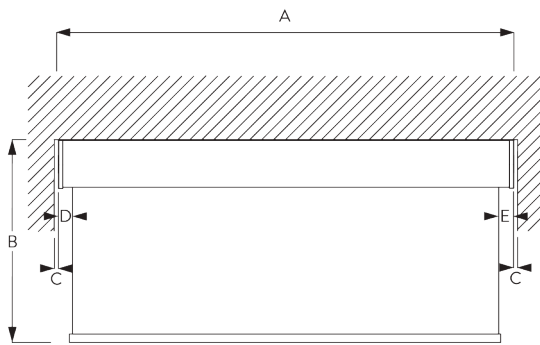


- A: System width
- B: System height
- C: Light gap: 13 mm
- D: Light gap operation side: 19 mm

Note:  
Different light gaps see motor specifications.  
All measurements include 2 mm for bracket cover per side!  
These can be omitted to reduce side light gaps.

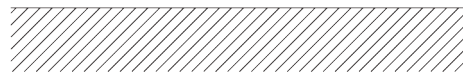


**Fascia / Box**

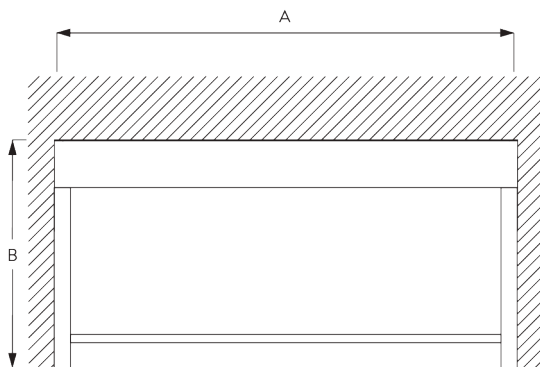


- A: System width
- B: System height
- C: Gap: min. 10 mm (when cover is used)\*
- D: Light gap: 15 mm
- E: Light gap operation side: 21 mm

Note:  
Different light gaps see motor specifications.  
\*Possible to make Fascia wider than system to reduce gap between wall and system.



**Fascia / Box with Side Profiles SG 11542**



- A: System width
- B: System height

## D. SPECIFICATION

### TEXT

**Silent Gliss SG 4960 Electrically Operated Roller Blind with Smart by Silent Gliss enabled motor.** Roller blind system for medium to large size blind applications up to 2.4m wide. Supplied made to measure and complete comprising anodised aluminium barrel SG 10532. Fixed to wall / ceiling / inside recess with brackets SG 10542 / SG 10543 and bracket covers SG 10574 / SG 10575. Assembled with powder coated white / grey / black finish aluminium bottom weight bar SG 10760 as standard (other shape options available). Integral 24V DC powered Smart by Silent Gliss motor SG 11250 left / right side. Operation only via Silent Gliss Smart Gateway and associated components in conjunction with compatible third-party control systems. All wiring to be strictly in accordance with Silent Gliss wiring diagrams. Fabric to be chosen from the Silent Gliss fabric range, Price Group 1R / 2R / 3R.

**Silent Gliss SG 4960 Electrically Operated Roller Blind System with SG Series 40 motor.** Roller blind system for medium to large size blind applications up to 2.4m wide. Supplied made to measure and complete comprising anodised aluminium barrel SG 10532. Fixed to wall / ceiling / inside recess with brackets SG 10542 / SG 10543 and bracket covers SG 10574 / SG 10575. Assembled with powder coated white / grey / black finish aluminium bottom weight bar SG 10760 as standard (other shape options available). Integral 24V DC powered motor (transformer not included) / 100-240V AC 50/60Hz powered motor. Operation by dry contact switching from fixed switch (not supplied) / dry contact switching via third-party control system and / or SG Control L radio control system via integrated receiver. SG Control L components supplied at additional cost. All wiring to be strictly in accordance with Silent Gliss wiring diagrams. Fabric to be chosen from the Silent Gliss fabric range, Price Group 1R / 2R / 3R.

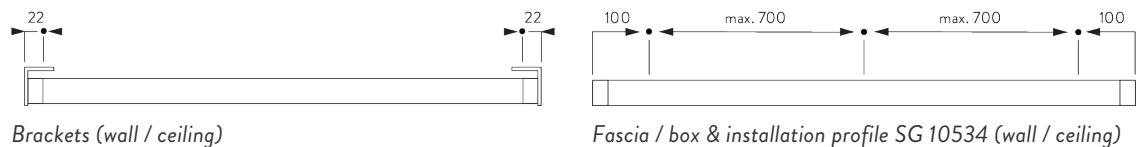
**Silent Gliss SG 4960 Electrically Operated Roller Blind System with SG Series 20 motor.** Roller blind system for medium to large size blind applications up to 2.4m wide. Supplied made to measure and complete comprising anodised aluminium barrel SG 10532. Fixed to wall / ceiling / inside recess with brackets SG 10542 / SG 10543 and bracket covers SG 10574 / SG 10575. Assembled with powder coated white / grey / black finish aluminium bottom weight bar SG 10760 as standard (other shape options available). Integral 230V 50 Hz powered motor SG 10320. Operation by mains switch (not supplied) / mains switching by third party control system or SG Control R remote control system. Wireless controls at extra cost. All wiring to be strictly in accordance with Silent Gliss wiring diagrams. Fabric to be chosen from the Silent Gliss fabric range, Price Group 1R / 2R / 3R.

# FITTING

## A. FITTING INFORMATION

For detailed fitting information, visit the [Silent Gliss website](#).

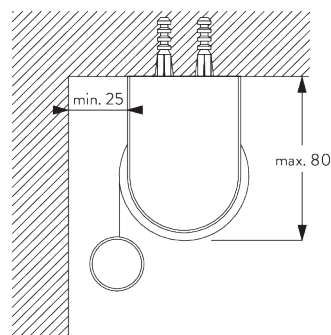
### Fixing points



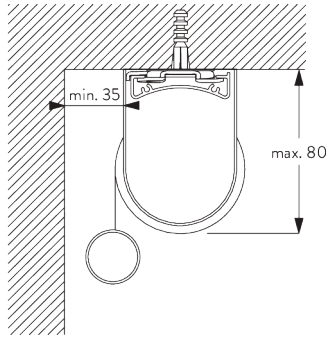
Brackets (wall / ceiling)

Fascia / box & installation profile SG 10534 (wall / ceiling)

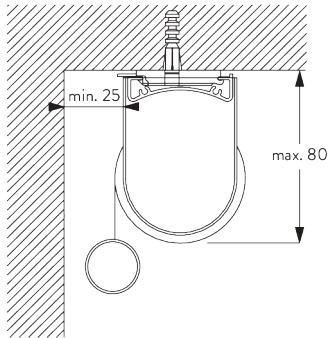
## B. CEILING FITTING



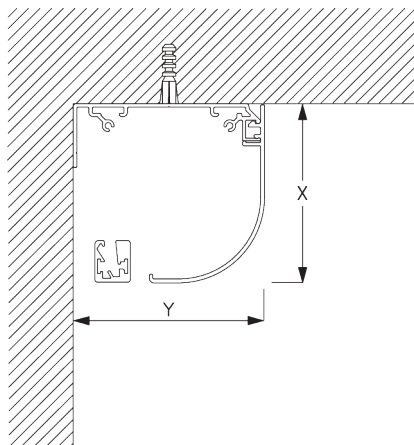
Brackets



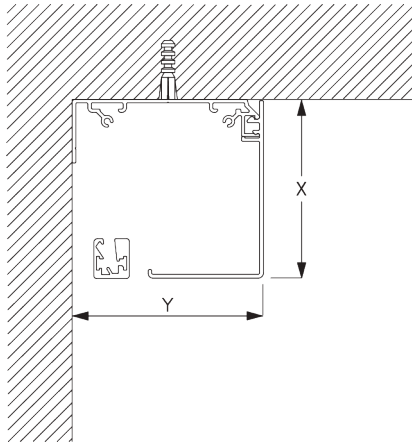
**Installation profile SG 10534 and clamp SG 3044**



**Installation profile SG 10534 and click bracket SG 10539**  
Not possible with two connected systems!



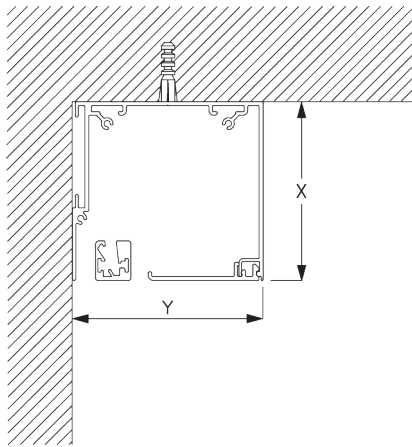
**Fascia round**  
X = Fascia S 73 mm / Fascia L 110 mm  
Y = Fascia S 78 mm / Fascia L 110 mm



**Fascia square**

X = Fascia S 73 mm / Fascia L 110 mm

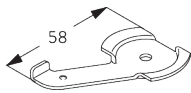
Y = Fascia S 78 mm / Fascia L 110 mm



**Box**

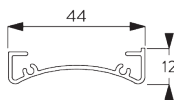
X = Box S 73 mm / Box L 110 mm

Y = Box S 78 mm / Box L 110 mm



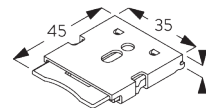
**SG 3044**

Clamp



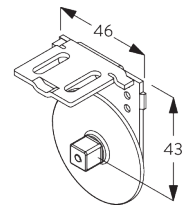
**SG 10534**

Installation profile



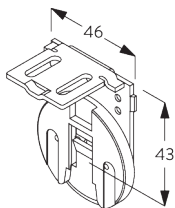
**SG 10539**

Bracket



**SG 10542**

Bracket



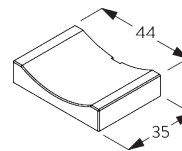
**SG 10543**

Bracket



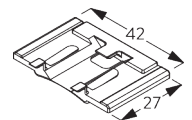
**SG 10574**

Bracket cover



**SG 10575**

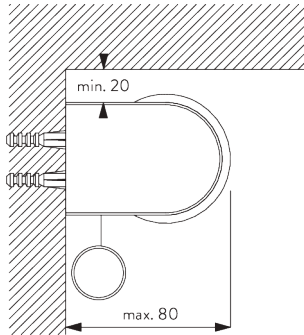
Bracket cover



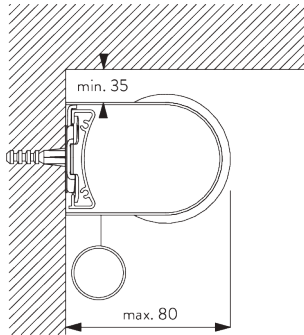
**SG 10690**

Spacer

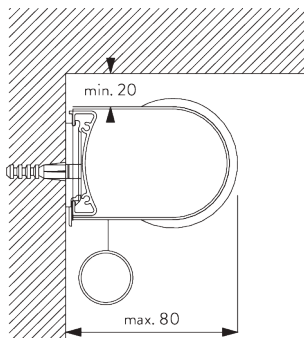
## C. WALL FITTING



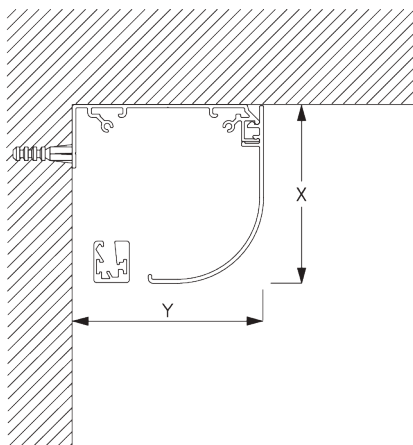
**Brackets**



**Installation profile SG 10534 and clamp SG 3044**

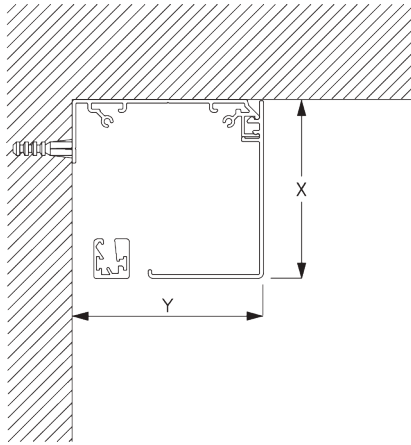


**Installation profile SG 10534 and click bracket SG 10539**  
*Not possible with two connected systems!*



**Fascia round**

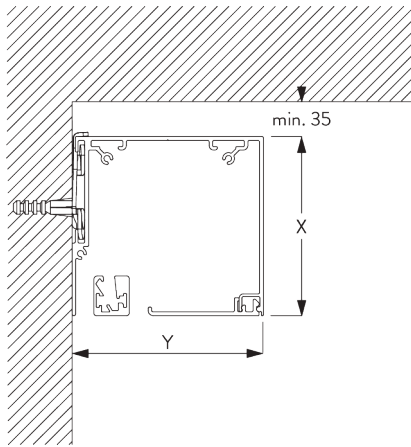
X = Fascia S 73 mm / Fascia L 110 mm  
Y = Fascia S 78 mm / Fascia L 110 mm



**Fascia square**

X = Fascia S 73 mm / Fascia L 110 mm

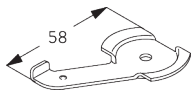
Y = Fascia S 78 mm / Fascia L 110 mm



**Box S and clamp SG 3044 / Box L and clamp SG 11180**

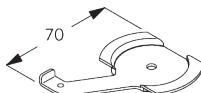
X = Box S 73 mm / Box L 110 mm

Y = Box S 78 mm / Box L 110 mm



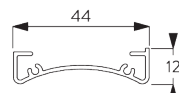
**SG 3044**

Clamp



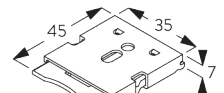
**SG 11180**

Clamp



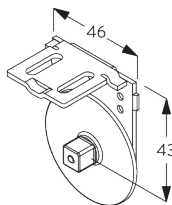
**SG 10534**

Installation profile



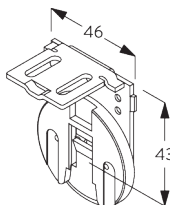
**SG 10539**

Bracket



**SG 10542**

Bracket



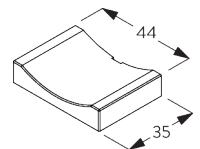
**SG 10543**

Bracket



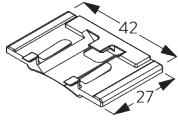
**SG 10574**

Bracket cover



**SG 10575**

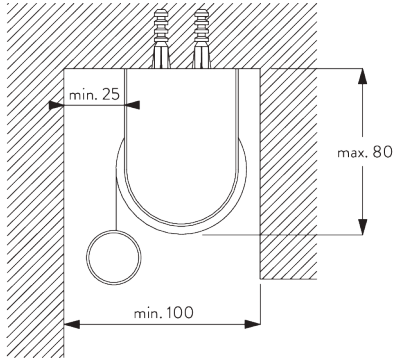
Bracket cover



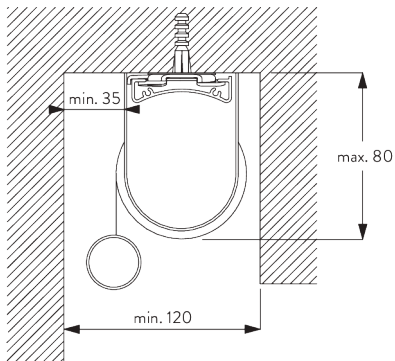
**SG 10690**

Spacer

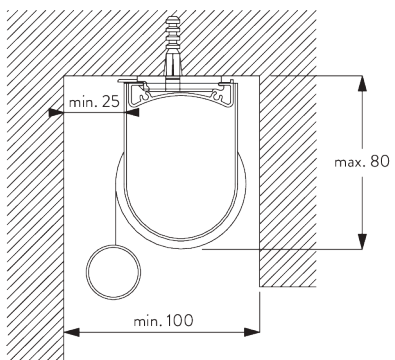
**D. RECESS FITTING**



**Brackets**



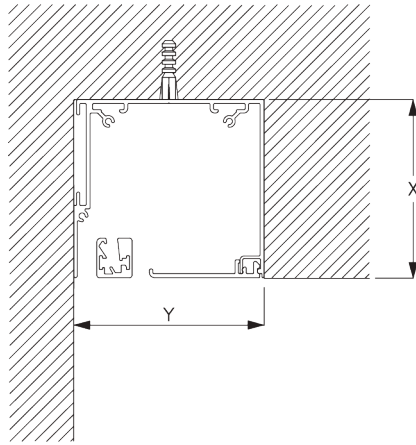
**Installation profile SG 10534 and clamp SG 3044**



**Installation profile SG 10534 and click bracket SG 10539**

*Not possible with two connected systems!*

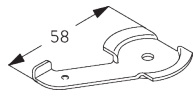




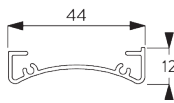
**Box**

X = Box S 73 mm / Box L 110 mm

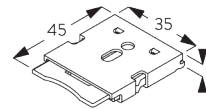
Y = Box S min. 79 mm / Box L min. 111 mm



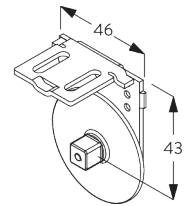
**SG 3044**  
Clamp



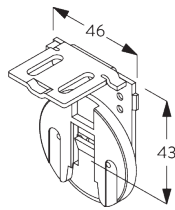
**SG 10534**  
Installation profile



**SG 10539**  
Bracket



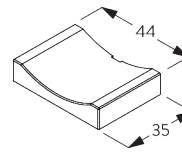
**SG 10542**  
Bracket



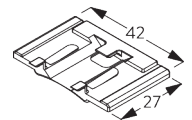
**SG 10543**  
Bracket



**SG 10574**  
Bracket cover

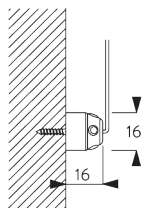
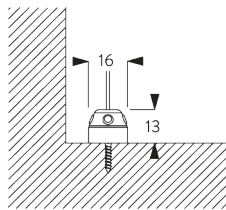


**SG 10575**  
Bracket cover

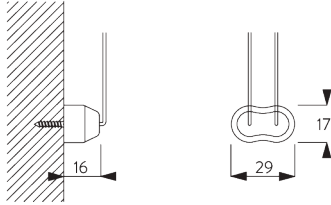
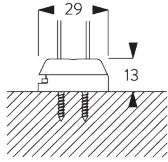


**SG 10690**  
Spacer

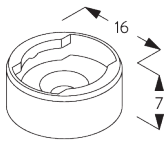
**E. FITTING WITH  
SIDE GUIDE  
OPTION**



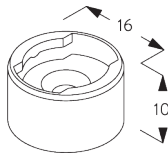
**Single system**



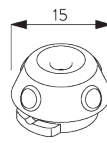
**Double system (side-by-side installation)**



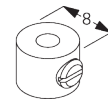
**SG 8235**  
Side guide wire base short



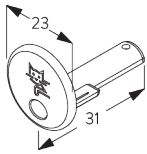
**SG 8236**  
Side guide wire base long



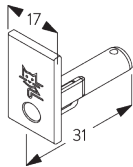
**SG 8237**  
Side guide wire holder



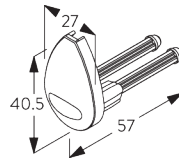
**SG 8249**  
Side guide device



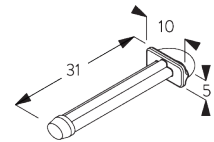
**SG 10762**  
Side guide end cover



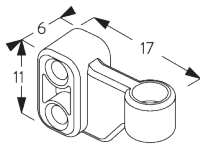
**SG 10772**  
Side guide end cover



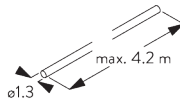
**SG 4944**  
Side guide end cover



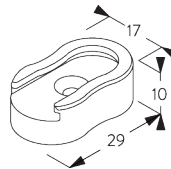
**SG 10641**  
Side guide eyelet



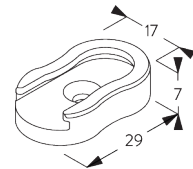
**SG 10642**  
Side guide wire holder



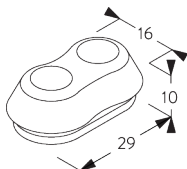
**SG 10643**  
Side guide wire  $\varnothing$  1.3 mm x 4.2 m



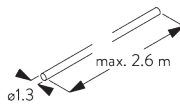
**SG 10669**  
Side guide double base long



**SG 10673**  
Side guide double base short



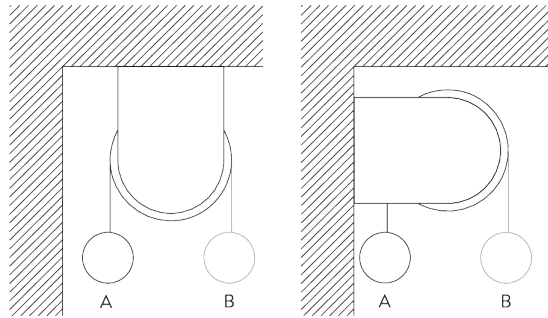
**SG 10701**  
Side guide double wire holder



**SG 10706**  
Side guide wire  $\varnothing$  1.3 mm x 2.6 m

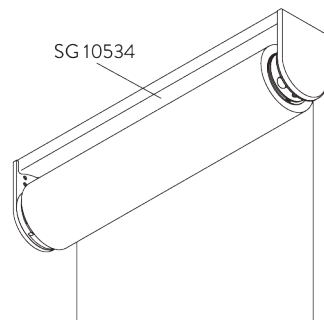
# SYSTEM OPTIONS

## A. FABRIC ROLL-OFF

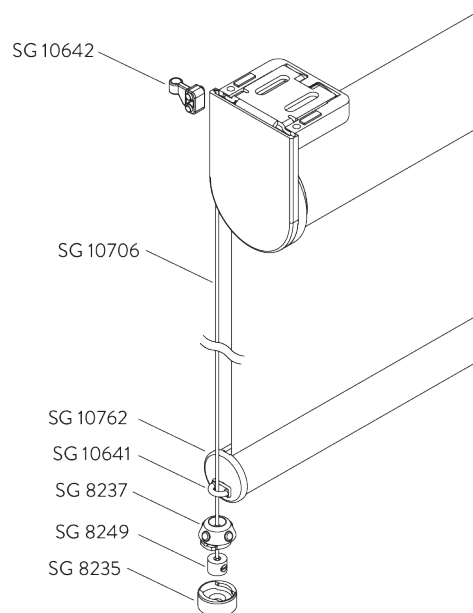


A: Fabric roll-off window side (standard)  
B: Fabric roll-off room side (option)

## B. INSTALLATION PROFILE



## C. SIDE GUIDES



Additional parts:

- 2x SG 8235 Side guide wire base short
- 2x SG 8237 Side guide wire holder
- 2x SG 8249 Side guide device
- 2x SG 10762 Side guide end cover round
- 2x SG 10641 Side guide eyelet
- 2x SG 10642 Side guide wire holder
- 2x SG 10706 Side guide wire  $\varnothing$  1.3 mm x 2.6 m

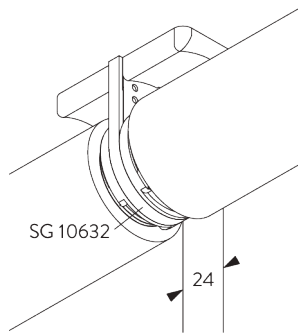
Optional parts:

- 2x SG 8236 Side guide wire base long
- 2x SG 10772 Side guide end cover square
- 2x SG 10643 Side guide wire  $\varnothing$  1.3 mm x 4.2 m
- 1x SG 10669 Side guide double base long
- 1x SG 10673 Side guide double base short
- 1x SG 10701 Side guide double wire holder

Note:

- Light gaps increase when side-guide option is used
- Up to 15° from vertical

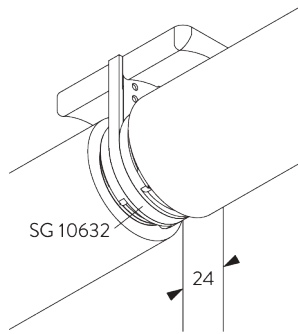
**D. TWO CONNECTED SYSTEMS**



Additional parts:

- 1x SG 10558 Connection tube adapter
- 2x SG 10626 Connection bracket
- 2x SG 10627 Connection flange
- 1x SG 10628 Connection tube adapter
- 1x SG 10632 Connection bracket cover

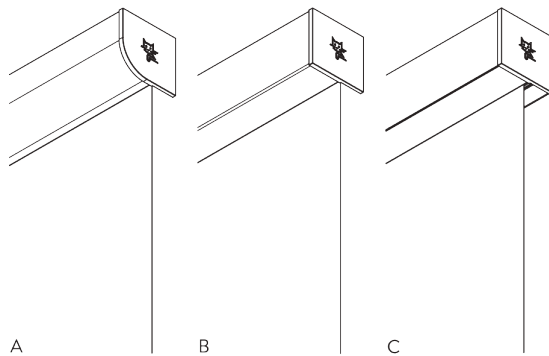
**E. TWO SINGLE SYSTEMS SIDE-BY-SIDE**



Additional parts:

- 1x SG 10632 Connection bracket cover

**F. FASCIA / BOX**



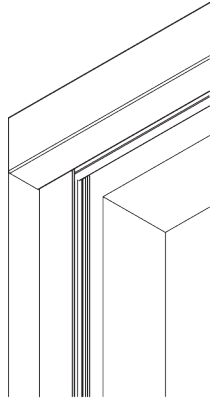
- A: Fascia round
- B: Fascia square
- C: Box

Size:

- S: 78 x 73 mm
- L: 110 x 110 mm

Note:

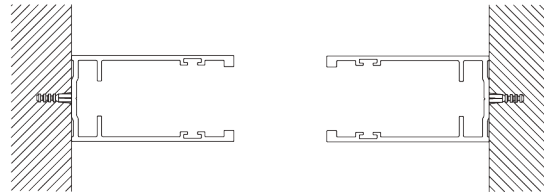
- Only applicable with bottom bar SG 11442
- Not possible with connected systems
- Two systems with one Fascia possible upon request



Optional side guide channels SG 11542 to be used with Fascia or Box.

Note:

- Only applicable with inside fitting
- Box: only recess fitting



# MOTORS & CONTROLS

## A. MOTOR FEATURES

Motors	50-Series	40-Series	20-Series	24 V DC
	SG 11250	SG 11240 SG 11243	SG 10320 SG 10420	SG 10692

### Motor Features

Soft stop	●	●	●	
Electronic end-stop	●	●	●	●
Electronic revolution counter (unlimited revolution)	●	●	●	●
Mechanical end-stop				
Mechanical revolution counter (limited revolution)				
Two intermediate positions possible		●		
Bottom bar alignment	●	●		
Noiseless stop			●	●
Parallel wiring possible without additional relays		●	●	
Disconnectable motor cable	●	●	●	
IP class	IP 30	IP 30	IP 44	IP 30

### Control Features

Mains power control			●	
Dry contact control		●		●
Dry contact and / or SG Control L control		●		
SG Control L (built-in receiver)		●		
SG Control R (external receiver required)			●	
Smart by Silent Gliss	●			
Suitable for most major home automation systems (with suitable interface)		●	●	●

## B. MOTOR SPECIFICATIONS

Motors	Light gaps* C / D = driving side	Min. system width	Voltage	Current	Frequency	Speed	Frequency receiver
<b>50-Series (Smart by Silent Gliss)</b>							
SG 11250	C: 10 mm / D: 26 mm	61 cm	24 V DC	1.8 A	n/a	55 rpm	n/a
<b>40-Series</b>							
SG 11240	C: 10 mm / D: 26 mm	83 cm	100-240 V AC	0.3 A	50-60 Hz	55 rpm	868 MHz
SG 11243	C: 10 mm / D: 26 mm	61 cm	24 V DC	1.8 A	n/a	55 rpm	868 MHz
<b>20-Series</b>							
SG 10320 (standard)	C: 13 mm / D: 19 mm	61 cm	230 V AC	0.55 A	50 Hz	70 rpm	n/a
SG 10420	C: 13 mm / D: 19 mm	61 cm	120 V AC	1.1 A	50 Hz	84 rpm	n/a
<b>24 V DC</b>							
SG 10692	C: 13 mm / D: 19 mm	50 cm	24 V DC	0.7 A	n/a	25 rpm	n/a

\*Light gaps Fascia or Box: C +2 mm / D +2 mm (40-/50-Series: C +3 mm / D + 2 mm)

## C. OPERATING METHODS

See catalogue "controls" for details.

### Wall Switch



System can be operated by fixed wall switch.

### SG Control L



Various radio hand-held and wall transmitters available.



Silent Gliss Move App.

### SG Control R



Various radio hand-held and wall transmitters available.  
An external receiver is required.

### Smart by Silent Gliss



Open designed two-way communication system which allows to flawlessly integrate products with most major building management systems.

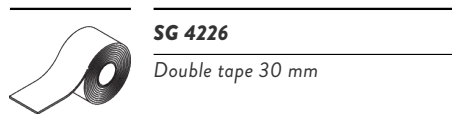
**D. WIRING**  
**DIAGRAMS**



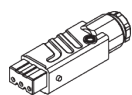
*Refer to Silent Gliss website.*

# PARTS

## A. STANDARD PARTS



**SG 4226**  
Double tape 30 mm



**SG 9917**  
Hirschmann portable socket-outlet STAK 3 N



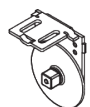
**SG 10284**  
O-Ring



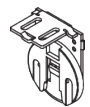
**SG 10320**  
Tubular motor 230V AC, 20 Series 1.5/70



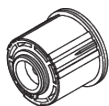
**SG 10532**  
Tube ø 43 mm



**SG 10542**  
Bracket



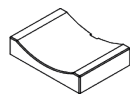
**SG 10543**  
Bracket



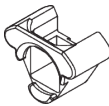
**SG 10557**  
Tube adapter



**SG 10574**  
Bracket cover



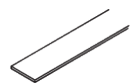
**SG 10575**  
Bracket cover



**SG 10620**  
Motor flange 10/20-Series



**SG 10621**  
Tube adapter



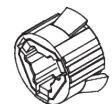
**SG 10668**  
PVC strip 10 mm



**SG 10760**  
Bottom bar



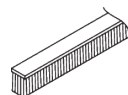
**SG 10761**  
End cover



**SG 11354**  
Motor drive 10/20-Series



**SG 3044**  
Clamp



**SG 4508**  
Brush 5x7 mm



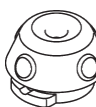
**SG 4903**  
Bottom bar



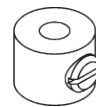
**SG 8235**  
Side guide wire base short



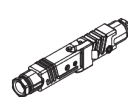
**SG 8236**  
Side guide wire base long



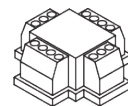
**SG 8237**  
Side guide wire holder



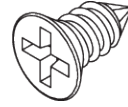
**SG 8249**  
Side guide device



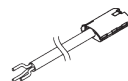
**SG 9916**  
Hirschmann plug set



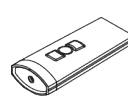
**SG 9959**  
Central control unit relay



**SG 10139**  
Countersunk screw 2.9x6.5



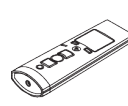
**SG 10293**  
Cable 230V AC, 2/3/5/10 m



**SG 10300**  
Radio hand held 1 channel




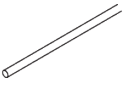

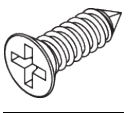

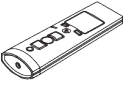



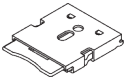
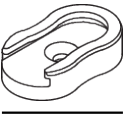


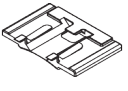

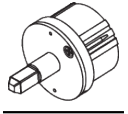

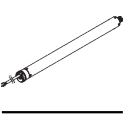

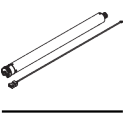
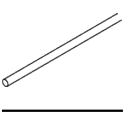
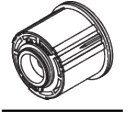
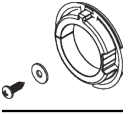
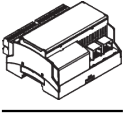
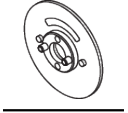
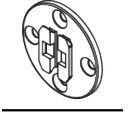

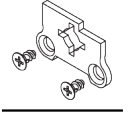
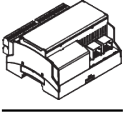
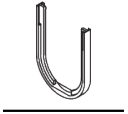
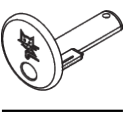
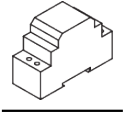
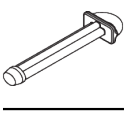
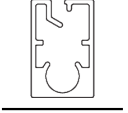
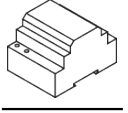
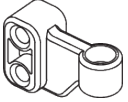
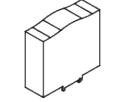
**SG 10302**  
Radio hand held 5+1 channel

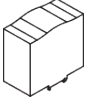





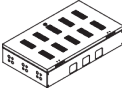
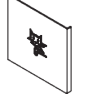

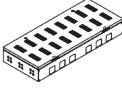





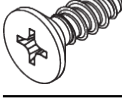


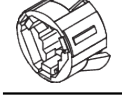
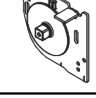

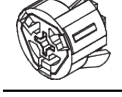
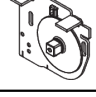

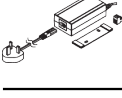
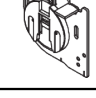
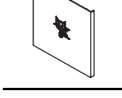
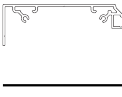
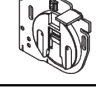

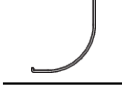
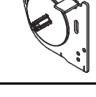

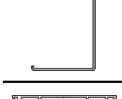

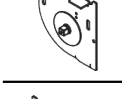
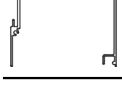
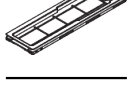
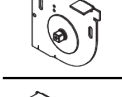





**SG 10303**  
Radio hand held 10+2+1 channel

## B. OPTIONAL PARTS



	<b>SG 10420</b> Tubular motor 120V AC, 20 Series 1.5/84 UL		<b>SG 10643</b> Side guide wire ø 1.3 mm x 4.2 m		<b>SG 10772</b> Side guide end cover
	<b>SG 10498</b> Countersunk screw 2.9x9.5		<b>SG 10651</b> Connection flange		<b>SG 10804</b> Radio hand held 15+5+1 channel
	<b>SG 10534</b> Installation profile		<b>SG 10669</b> Side guide double base long		<b>SG 11178</b> End cover
	<b>SG 10539</b> Bracket		<b>SG 10673</b> Side guide double base short		<b>SG 11180</b> Clamp
	<b>SG 10544</b> Bracket		<b>SG 10690</b> Spacer		<b>SG 11240</b> Motor 100-240V AC, 40-Series 1.5/55, radio receiver
	<b>SG 10558</b> Connection tube adapter		<b>SG 10692</b> Motor 24 V DC, 2/38		<b>SG 11243</b> Motor 24V DC, 40-Series 1.5/55, radio receiver
	<b>SG 10622</b> Tube adapter, 24V DC motor		<b>SG 10701</b> Side guide double wire holder		<b>SG 11250</b> Motor 24V DC, 50-Series 1.5/55
	<b>SG 10625</b> Motor flange, 10/20-Series		<b>SG 10706</b> Side guide wire ø 1.3 mm x 2.6 m		<b>SG 11258</b> Tube adapter
	<b>SG 10626</b> Connection bracket		<b>SG 10708</b> Adapter set, 24 V DC		<b>SG 11260</b> Gateway Cedia
	<b>SG 10627</b> Connection flange		<b>SG 10747</b> Motor plate S		<b>SG 11261</b> Gateway KNX
	<b>SG 10628</b> Connection tube adapter		<b>SG 10753</b> Motor plate		<b>SG 11262</b> Expansion unit
	<b>SG 10632</b> Connection bracket cover		<b>SG 10762</b> Side guide end cover		<b>SG 11263</b> Power supply 24V DC, 2.5A DIN Rail
	<b>SG 10641</b> Side guide eyelet		<b>SG 10770</b> Bottom bar		<b>SG 11264</b> Power supply 24V DC, 3.8A DIN Rail
	<b>SG 10642</b> Side guide wire holder		<b>SG 10771</b> End cover		<b>SG 11265</b> Power supply 24V DC, 5A DIN Rail

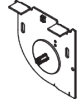
	<b>SG 11266</b> Power supply 24V DC, 10A DIN Rail		<b>SG 11437</b> Bracket cover round left 73 mm		<b>SG 11490</b> Radio wall transmitter 5+1 channel
	<b>SG 11281</b> Cabinet for 8 systems		<b>SG 11438</b> Bracket cover round right 73 mm		<b>SG 11530</b> Installation profile fascia 110 mm
	<b>SG 11282</b> Cabinet for 24 systems		<b>SG 11439</b> Bracket cover square left 73 mm		<b>SG 11531</b> Fascia round 110 mm
	<b>SG 11283</b> Cabinet for 56 systems		<b>SG 11440</b> Bracket cover square right 73 mm		<b>SG 11532</b> Fascia square 110 mm
	<b>SG 11319</b> Plug 4-pin, MC 1.5/4-ST-3.81		<b>SG 11442</b> Bottom bar		<b>SG 11533</b> Box case 110 mm
	<b>SG 11322</b> PT Screw Countersunk KA35x10 WN 1413		<b>SG 11443</b> End cover		<b>SG 11534</b> Box cover 110 mm
	<b>SG 11356</b> Motor drive 40/50-Series		<b>SG 11446</b> Bracket left 73 mm		<b>SG 11537</b> Bracket cover round left 110 mm
	<b>SG 11357</b> Motor drive Somfy 24 V DC		<b>SG 11447</b> Bracket right 73 mm		<b>SG 11538</b> Bracket cover round right 110 mm
	<b>SG 11425</b> Power supply 24V / 2A including cable with UK plug		<b>SG 11448</b> Bracket left 73 mm		<b>SG 11539</b> Bracket cover square left 110 mm
	<b>SG 11430</b> Installation profile fascia 73 mm		<b>SG 11449</b> Bracket right 73 mm		<b>SG 11540</b> Bracket cover square right 110 mm
	<b>SG 11431</b> Fascia round 73 mm		<b>SG 11450</b> Bracket left 73 mm		<b>SG 11542</b> Side guide channel
	<b>SG 11432</b> Fascia square 73 mm		<b>SG 11451</b> Bracket right 73 mm		<b>SG 11546</b> Bracket left 110 mm
	<b>SG 11433</b> Box case 73 mm		<b>SG 11460</b> Cover for Hirschmann plug		<b>SG 11547</b> Bracket right 110 mm
	<b>SG 11434</b> Box cover 73 mm		<b>SG 11480</b> Radio wall transmitter 1 channel		<b>SG 11548</b> Bracket left 110 mm



---

**SG 11549**  
*Bracket right 110 mm*

---



---

**SG 11550**  
*Bracket left 110 mm*

---



---

**SG 11551**  
*Bracket right 110 mm*

---



---

**SG 20336**  
*Hand held transmitter 8 channel*

---



---

**SG 20913**  
*Wall switch single channel*

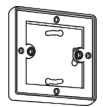
---



---

**SG 20914**  
*Wall switch 8 channel*

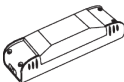
---



---

**SG 20917**  
*Pattress box*

---



---

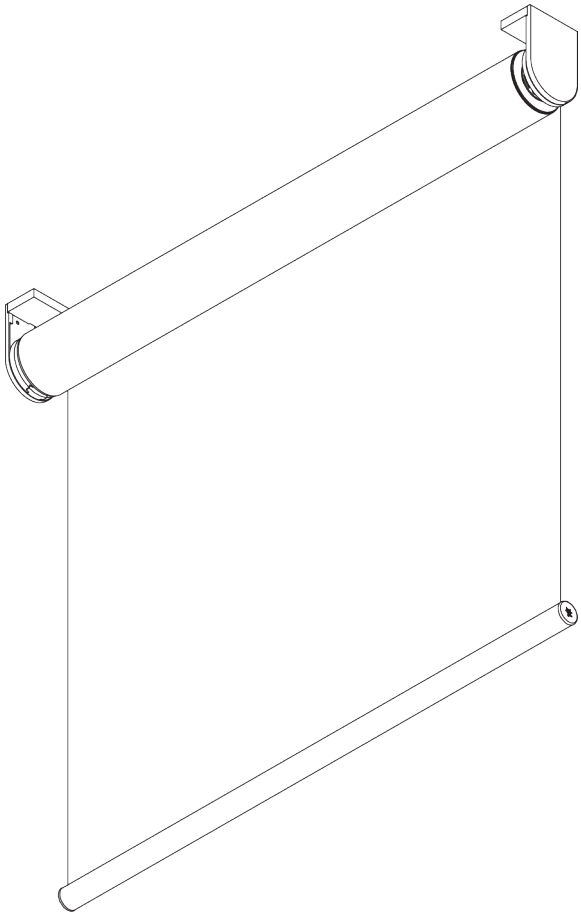
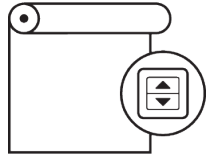
**SG 20919**  
*Control module motor type R*

---



# SG 4970

---



## **PRODUCT INFORMATION**

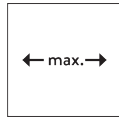
- **Operation:** motorised
- **Range:** M - L
- **Fitting:** ceiling, wall, recess
- **Colours:** white RAL 9016, grey RAL 7035, black RAL 9005; special colours possible
- **Fabrics:** refer to Silent Gliss fabric collection

### **Features:**

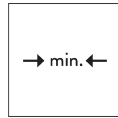
- Quiet and fast motors
- Soft stop
- Various control options
- Two connected systems
- Click-in brackets, fascia, box, installation profile

# SYSTEM SPECIFICATIONS

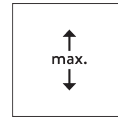
## A. SYSTEM DIMENSIONS



Single system: 3.4 m  
Double system: 6.8 m



65 cm\*  
\*see motor specification  
table



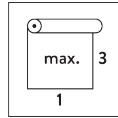
5 m



Single system: 17 m<sup>2</sup>  
Double system: 34 m<sup>2</sup>



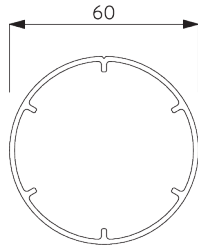
10 kg



Recommended width /  
height ratio  
max. 1:3

## B. PROFILE

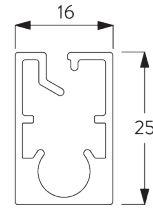
### Profile information



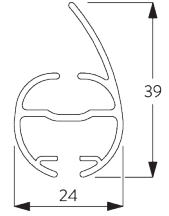
**SG 11037**  
Tube ø 60 mm



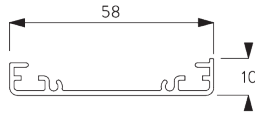
**SG 10760**  
Bottom bar



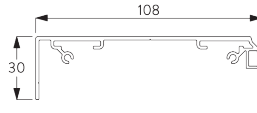
**SG 10770**  
Bottom bar



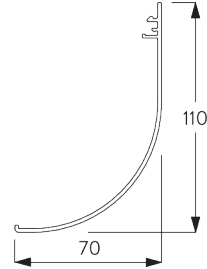
**SG 4903**  
Bottom bar



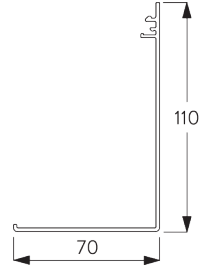
**SG 11181**  
Installation profile



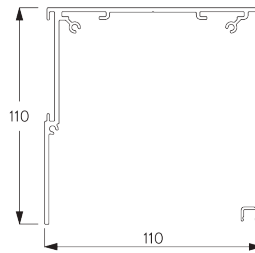
**SG 11530**  
Installation profile fascia 110 mm



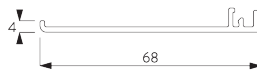
**SG 11531**  
Fascia round 110 mm



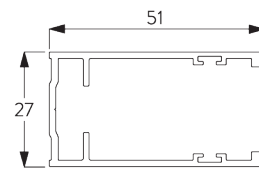
**SG 11532**  
Fascia square 110 mm



**SG 11533**  
Box case 110 mm



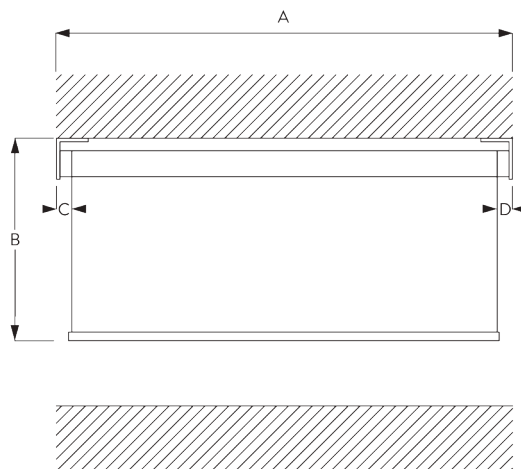
**SG 11534**  
Box cover 110 mm



**SG 11542**  
Side guide channel

## C. HOW TO MEASURE

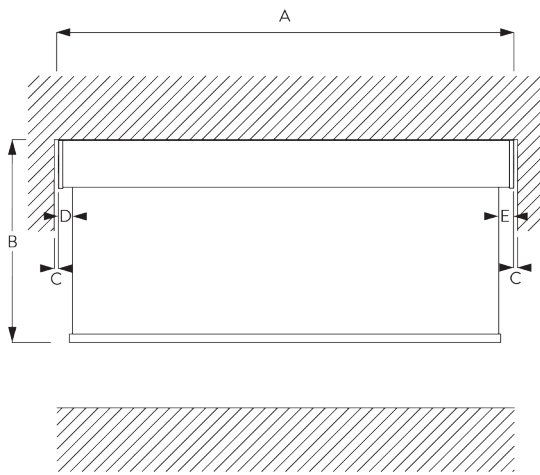
incl. bracket covers



A: System width  
B: System height  
C: Light gap: 18 mm  
D: Light gap operation side: 25 mm

Note:  
Different light gaps see motor specifications.  
All measurements include 2 mm for bracket cover per side!

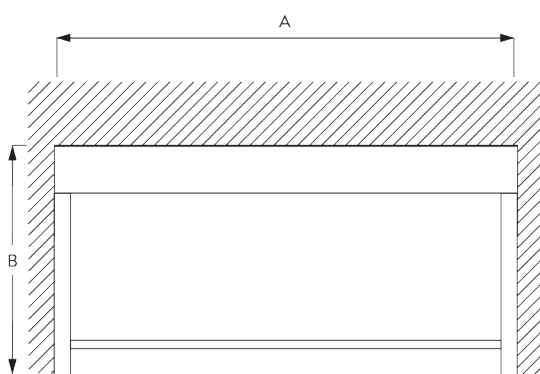
## Fascia / Box



- A: System width
- B: System height
- C: Gap: min. 10 mm (when cover is used)\*
- D: Light gap: 20 mm
- E: Light gap operation side: 27 mm

Note:  
Different light gaps see motor specifications.  
\*Possible to make Fascia wider than system to reduce gap between wall and system.

## Fascia / Box with Side Profiles SG 11542



- A: System width
- B: System height

## D. SPECIFICATION

### TEXT

**Silent Gliss SG 4970 Electrically Operated Roller Blind with SG Smart by Silent Gliss enabled motor.** Roller blind system for medium to large size blind applications up to 3.4m wide. Supplied made to measure and complete comprising anodised aluminium barrel SG 11037. Fixed to wall / ceiling / inside recess with brackets SG 11172 and bracket covers SG 11173. Brackets and hardware in white / grey / black finish. Assembled with powder coated white finish aluminium bottom weight bar SG 10760 as standard (other shape options available). Integral 230V 50 Hz powered motor SG 11251 left / right side. Operation only via Silent Gliss Smart Gateway and associated components in conjunction with compatible third-party control systems. All wiring to be strictly in accordance with Silent Gliss wiring diagrams. Fabric to be chosen from the Silent Gliss fabric range, Price Group 1R / 2R / 3R.

**Silent Gliss SG 4970 Electrically Operated Roller Blind System with Series 40 motor.** Roller blind system for heavy weight applications. Roller blind system for medium to large size blind applications up to 3.4m wide. Supplied made to measure and complete comprising anodised aluminium barrel SG 11037. Fixed to wall / ceiling / inside recess with brackets SG 11172 and bracket covers SG 11173. Brackets and hardware in white / grey / black finish. Assembled with powder coated white aluminium bottom weight bar SG 10760 as standard (other shape options available). Integral 24V DC (transformer not included) /100-240V AC 50/60Hz motor SG 11241 / SG 11244. Operation by dry contact switching either from fixed switch (not supplied) or third-party control system and/or SG Control L radio control system via integrated receiver. SG Control L components supplied at additional cost. All wiring to be strictly in accordance with Silent Gliss wiring diagrams. Fabric to be chosen from the Silent Gliss fabric range, Price Group 1R / 2R / 3R.

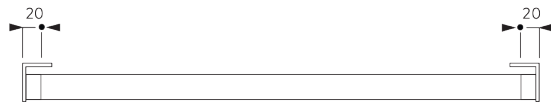
**Silent Gliss SG 4970 Electrically Operated Roller Blind System with Series 20 motor.** Roller blind system for medium to large size blind applications up to 3.4m wide. Supplied made to measure and complete comprising anodised aluminium barrel SG 11037. Fixed to wall / ceiling / inside recess with brackets SG 11172 and bracket covers SG 11173. Brackets and hardware in white / grey / black finish. Assembled with powder coated white aluminium bottom weight bar SG 10760 as standard (other shape options available). Integral 24V DC powered motor SG 10522 left / right side. Operation by mains switch (not supplied) or mains switching by third party control system or SG Control R remote control system, wireless controls at extra cost. All wiring to be strictly in accordance with Silent Gliss wiring diagrams. Fabric to be chosen from the Silent Gliss fabric range, Price Group 1R / 2R / 3R.



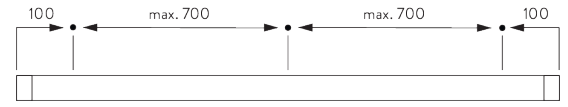
# FITTING

## A. FITTING INFORMATION

### Fixing points

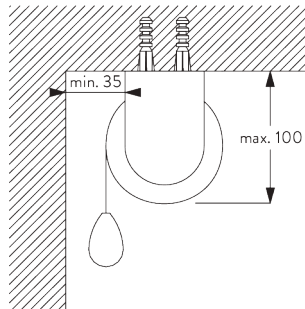


Brackets (wall / ceiling)

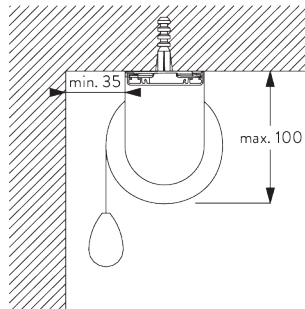


Fascia / box & installation profile SG 11181 (wall / ceiling)

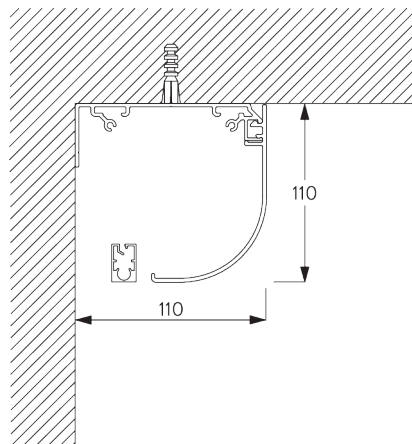
## B. CEILING FITTING



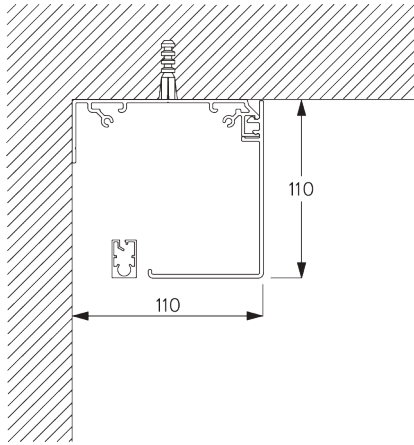
Brackets



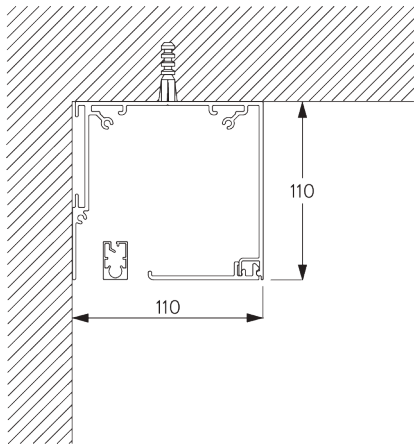
Installation profile SG 11181 and clamp SG 11180



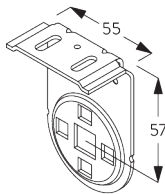
Fascia round



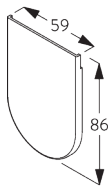
**Fascia square**



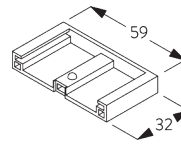
**Box**



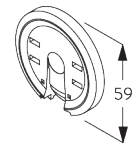
**SG 11172**  
Bracket



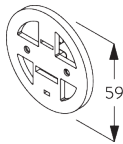
**SG 11173**  
Bracket cover



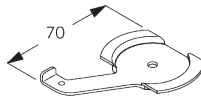
**SG 11174**  
Bracket cover



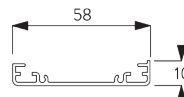
**SG 11175**  
Click flange



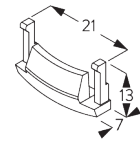
**SG 11177**  
Motor support



**SG 11180**  
Clamp

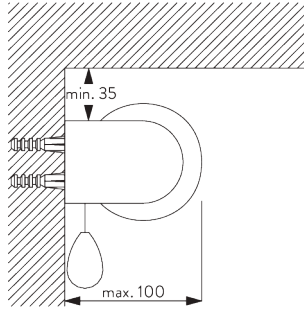


**SG 11181**  
Installation profile

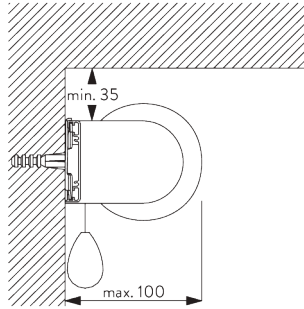


**SG 11179**  
Cover

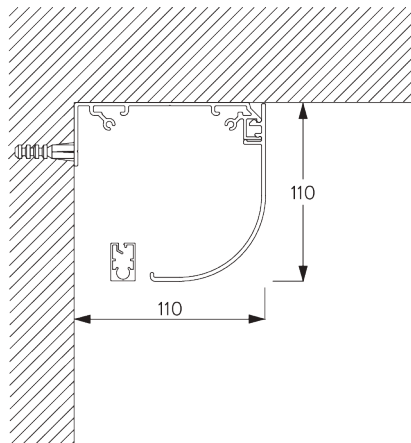
## C. WALL FITTING



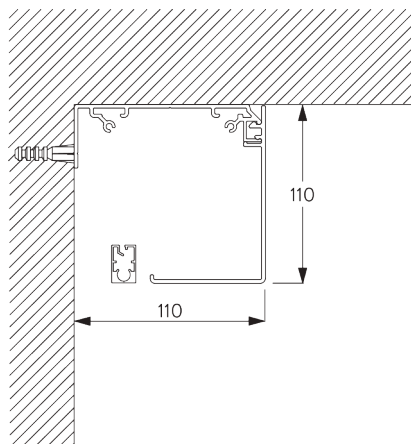
**Brackets**



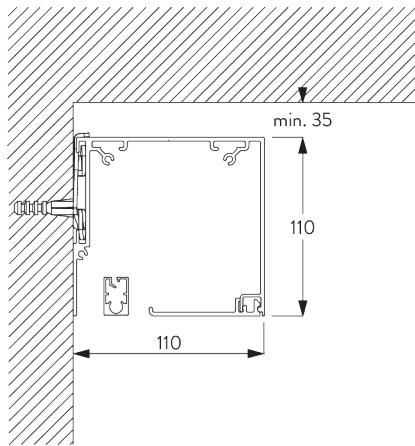
**Installation profile SG 11181 and clamp SG 11180**



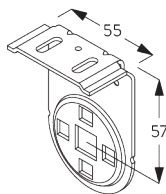
**Fascia round**



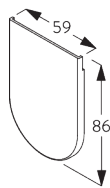
**Fascia square**



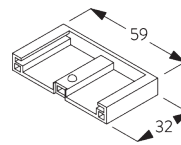
**Box and clamp SG 11180**



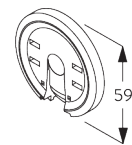
**SG 11172**  
Bracket



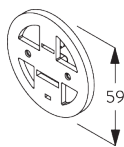
**SG 11173**  
Bracket cover



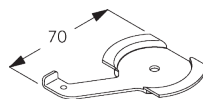
**SG 11174**  
Bracket cover



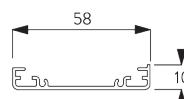
**SG 11175**  
Click flange



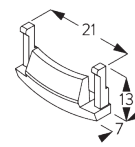
**SG 11177**  
Motor support



**SG 11180**  
Clamp

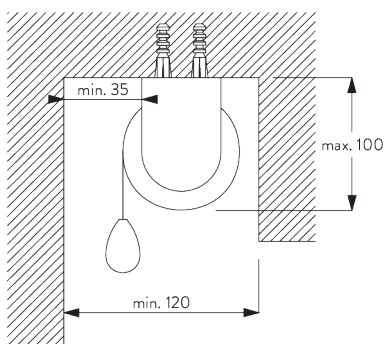


**SG 11181**  
Installation profile

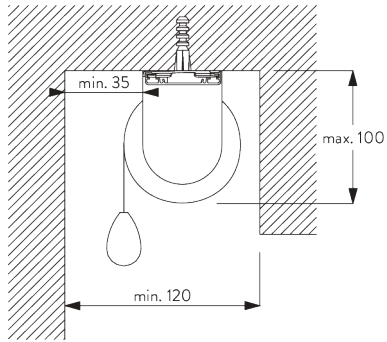


**SG 11179**  
Cover

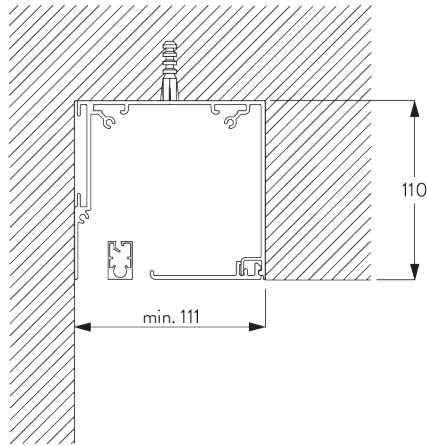
## D. RECESS FITTING



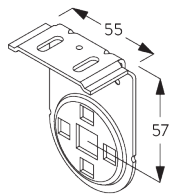
**Brackets**



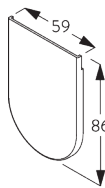
**Installation profile SG 11181 and clamp SG 11180**



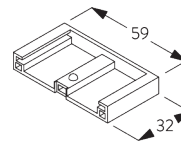
**Box**



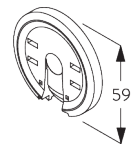
**SG 11172**  
Bracket



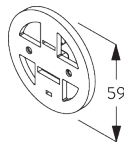
**SG 11173**  
Bracket cover



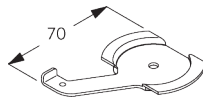
**SG 11174**  
Bracket cover



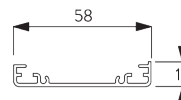
**SG 11175**  
Click flange



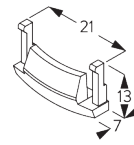
**SG 11177**  
Motor support



**SG 11180**  
Clamp

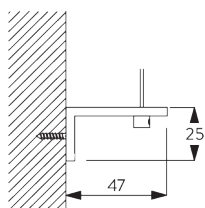


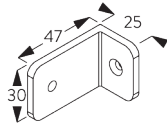
**SG 11181**  
Installation profile



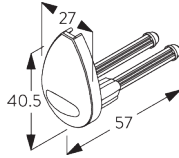
**SG 11179**  
Cover

**E. FITTING WITH  
SIDE GUIDE  
OPTION**

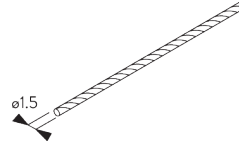




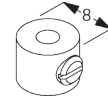
**SG 3036**  
Bracket 47 mm



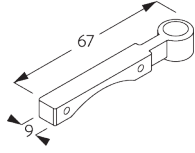
**SG 4944**  
Side guide end cover



**SG 4948**  
Side guide wire ø 1.5 mm



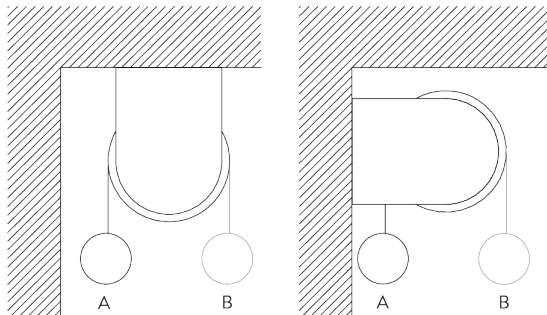
**SG 8249**  
Side guide device



**SG 1182**  
Side guide wire holder

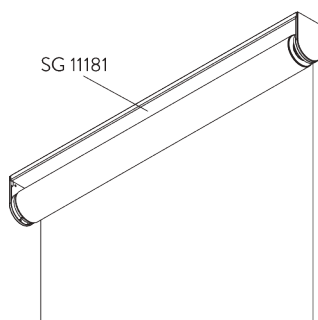
## SYSTEM OPTIONS

### A. FABRIC ROLL-OFF

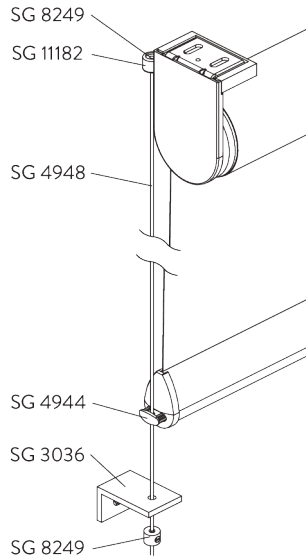


A: Fabric roll-off window side (standard)  
B: Fabric roll-off room side (option)

### B. INSTALLATION PROFILE



### C. SIDE GUIDES



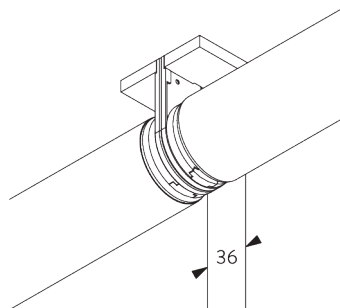
Additional parts:

- 2x SG 3036 Bracket
- 2x SG 4944 Side guide end cover
- 2x SG 4948 Side guide wire  $\varnothing$  1.5 mm
- 4x SG 8249 Side guide device
- 2x SG 11182 Side guide wire holder

Note:

- Light gaps increase when side-guide option is used
- Up to 15° from vertical
- Only applicable with bottom bar SG 4903

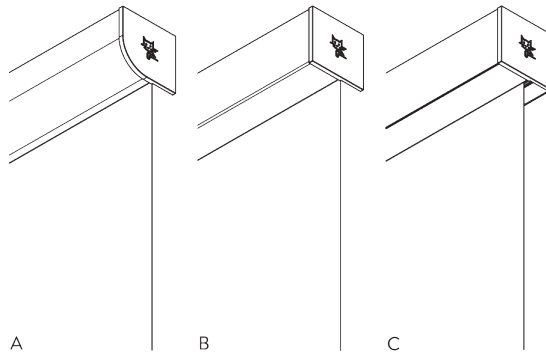
### D. TWO CONNECTED SYSTEMS



Additional parts:

- 1x SG 11175 Click flange
- 1x SG 11183 Connecting bolt
- 2x SG 11184 Connection bracket cover
- 1x SG 11195 Connection tube adapter

### E. FASCIA / BOX



A: Fascia round

B: Fascia square

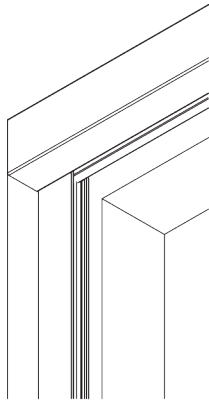
C: Box

Size

- 110 x 110 mm

Note:

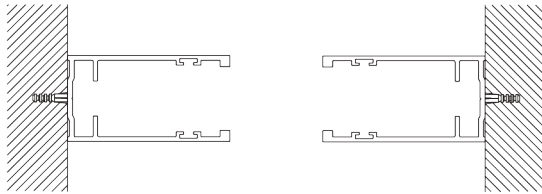
- Only applicable with bottom bar SG 10770
- Not possible with connected systems
- Two systems with one Fascia possible upon request



Optional side guide channels SG 11542 to be used with Fascia or Box.

Note:

- Only applicable with inside fitting
- Box: only recess fitting



# MOTORS & CONTROLS

## A. MOTOR FEATURES

	50-Series	40-Series	20-Series
Motors	SG 11251	SG 11241 SG 11244	SG 10422 SG 10522

### Motor Features

Soft stop	•	•	•
Electronic end-stop	•	•	•
Electronic revolution counter (unlimited revolution)	•	•	•
Mechanical end-stop			
Mechanical revolution counter (limited revolution)			
Two intermediate positions possible		•	
Bottom bar alignment	•	•	
Noiseless stop			•
Parallel wiring possible without additional relays		•	•
Disconnectable motor cable	•	•	•
IP class	IP 30	IP 30	IP 44

### Control Features

Mains power control			•
Dry contact control		•	
Dry contact and / or SG Control L control		•	
SG Control L (built-in receiver)		•	
SG Control R (external receiver required)			•
Smart by Silent Gliss	•		
Suitable for most major home automation systems (with suitable interface)		•	•



## B. MOTOR SPECIFICATIONS

Motors	Light gaps* C / D= driving side	Min. system width	Voltage	Current	Frequency	Speed	Frequency receiver
<b>50-Series (Smart by Silent Gliss)</b>							
SG 11251	C: 18 mm / D: 26 mm	65 cm	24 V DC	1.5 A	n/a	32 rpm	n/a
<b>40-Series</b>							
SG 11241	C: 18 mm / D: 26 mm	87 cm	100-240 V AC	0.6 A	50-60 Hz	32 rpm	868 MHz
SG 11244	C: 18 mm / D: 26 mm	65 cm	24 V DC	1.5 A	n/a	32 rpm	868 MHz
<b>20-Series</b>							
SG 10422	C: 18 mm / D: 25 mm	65 cm	120 V AC	1.1 A	50 Hz	36 rpm	n/a
SG 10522 (standard)	C: 18 mm / D: 25 mm	65 cm	230 V AC	0.55 A	50 Hz	30 rpm	n/a

\*Light gaps Fascia or Box: C +3 mm / D +2 mm (20-Series: C +2 mm / D +2 mm)

## C. OPERATING METHODS

See catalogue "controls" for details.

Wall Switch



System can be operated by fixed wall switch.

SG Control L



Various radio hand-held and wall transmitters available.



Silent Gliss Move App.

SG Control R



Various radio hand-held and wall transmitters available.  
An external receiver is required.

Smart by Silent Gliss



Open designed two-way communication system which allows to flawlessly integrate products with most major home control systems.


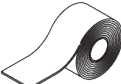
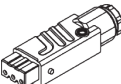




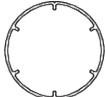
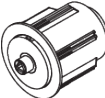
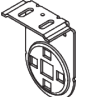

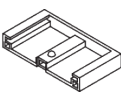


## D. WIRING DIAGRAMS


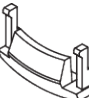




Refer to Silent Gliss website.

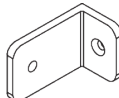
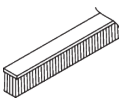

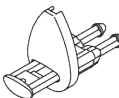


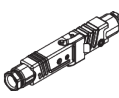
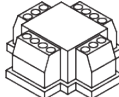
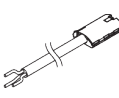


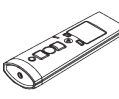


# PARTS

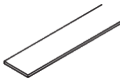
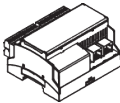


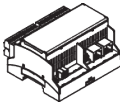


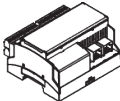


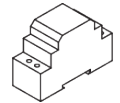


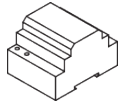


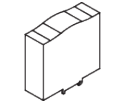
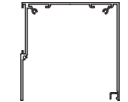

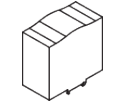

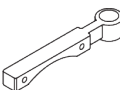


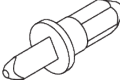
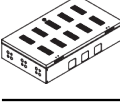
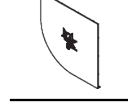

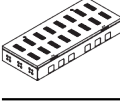
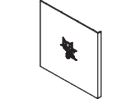
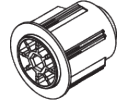
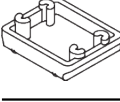
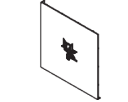

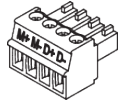
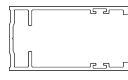



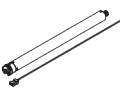
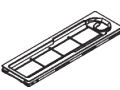

## A. STANDARD PARTS

	<b>SG 4223</b> PVC strip 14 mm
	<b>SG 4226</b> Double tape 30 mm
	<b>SG 9917</b> Hirschmann portable socket-outlet STAK 3 N
	<b>SG 10284</b> O-Ring
	<b>SG 10522</b> Motor 230V AC, 20-Series 3/30
	<b>SG 10760</b> Bottom bar
	<b>SG 10761</b> End cover
	<b>SG 11037</b> Tube ø 60 mm
	<b>SG 11165</b> Tube adapter
	<b>SG 11172</b> Bracket
	<b>SG 11173</b> Bracket cover
	<b>SG 11174</b> Bracket cover
	<b>SG 11175</b> Click flange
	<b>SG 11176</b> Tube adapter

	<b>SG 11177</b> Motor support
	<b>SG 11179</b> Cover
	<b>SG 11323</b> PT Screw Countersunk KA35x12 WN 1413
	<b>SG 11358</b> Motor drive 10/20-Series

## B. OPTIONAL PARTS

	<b>SG 3036</b> Bracket 47 mm
	<b>SG 4508</b> Brush 5x7 mm
	<b>SG 4903</b> Bottom bar
	<b>SG 4944</b> Side guide end cover
	<b>SG 4948</b> Side guide wire ø 1.5 mm
	<b>SG 8249</b> Side guide device
	<b>SG 9916</b> Hirschmann plug set
	<b>SG 9959</b> Central control unit relay
	<b>SG 10293</b> Cable 230V AC, 2/3/5/10 m
	<b>SG 10300</b> Radio hand held 1 channel
	<b>SG 10302</b> Radio hand held 5+1 channel
	<b>SG 10303</b> Radio hand held 10+2+1 channel
	<b>SG 10422</b> Tubular motor 120V AC, 20 Series 3/36, UL
	<b>SG 10498</b> Countersunk screw 2.9x9.5

	<b>SG 10668</b> PVC strip 10 mm		<b>SG 11260</b> Gateway Cedia		<b>SG 11480</b> Radio wall transmitter 1 channel
	<b>SG 10770</b> Bottom bar		<b>SG 11261</b> Gateway KNX		<b>SG 11490</b> Radio wall transmitter 5+1 channel
	<b>SG 10771</b> End cover		<b>SG 11262</b> Expansion unit		<b>SG 11530</b> Installation profile fascia 110 mm
	<b>SG 10804</b> Radio hand held 15+5+1 channel		<b>SG 11263</b> Power supply 24V DC, 2.5A DIN Rail		<b>SG 11531</b> Fascia round 110 mm
	<b>SG 11178</b> End cover		<b>SG 11264</b> Power supply 24V DC, 3.8A DIN Rail		<b>SG 11532</b> Fascia square 110 mm
	<b>SG 11180</b> Clamp		<b>SG 11265</b> Power supply 24V DC, 5A DIN Rail		<b>SG 11533</b> Box case 110 mm
	<b>SG 11181</b> Installation profile		<b>SG 11266</b> Power supply 24V DC, 10A DIN Rail		<b>SG 11534</b> Box cover 110 mm
	<b>SG 11182</b> Side guide wire holder		<b>SG 11281</b> Cabinet for 8 systems		<b>SG 11537</b> Bracket cover round left 110 mm
	<b>SG 11183</b> Connection bolt		<b>SG 11282</b> Cabinet for 24 systems		<b>SG 11538</b> Bracket cover round right 110 mm
	<b>SG 11184</b> Connection bracket cover		<b>SG 11283</b> Cabinet for 56 systems		<b>SG 11539</b> Bracket cover square left 110 mm
	<b>SG 11195</b> Connection tube adapter		<b>SG 11311</b> Bracket spacer		<b>SG 11540</b> Bracket cover square right 110 mm
	<b>SG 11241</b> Tubular motor 100-240V AC, 40-Series 3/32, radio receiver		<b>SG 11319</b> Plug 4-pin, MC 1.5/4-ST-3.81		<b>SG 11542</b> Side guide channel
	<b>SG 11244</b> Tubular motor 24V DC, 40 Series 3/32, radio receiver		<b>SG 11360</b> Motor drive 40/50-Series		<b>SG 11544</b> Bracket left 110 mm
	<b>SG 11251</b> Motor 24V DC, 50-Series 3/32		<b>SG 11460</b> Cover for Hirschmann plug		<b>SG 11545</b> Bracket right 110 mm

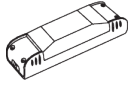


---

**SG 20336**

*Hand held transmitter 8 channel*

---



---

**SG 20907**

*Control module motor type R*

---



---

**SG 20913**

*Wall switch single channel*

---

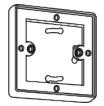


---

**SG 20914**

*Wall switch 8 channel*

---

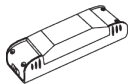


---

**SG 20917**

*Pattress box*

---

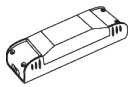


---

**SG 20918**

*Control module motor type A,AA*

---



---

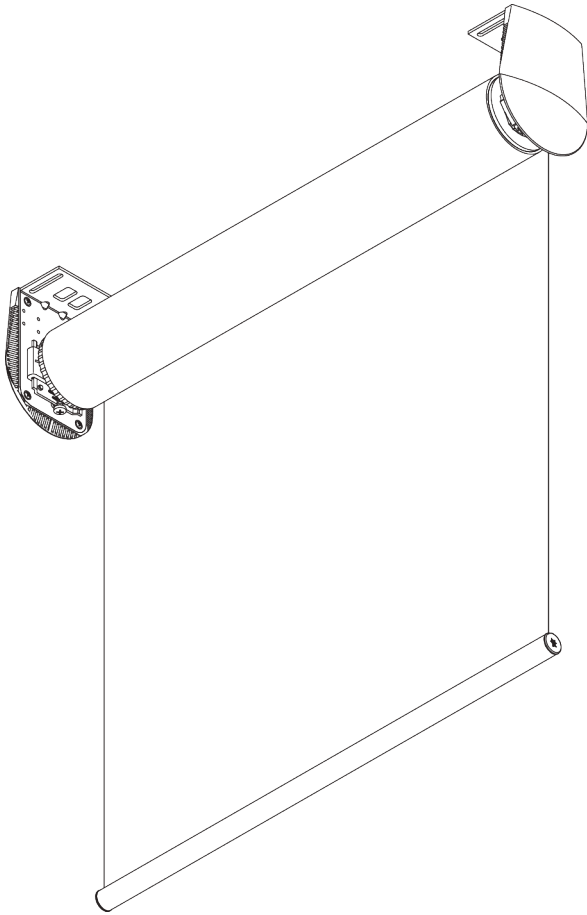
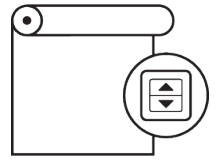
**SG 20919**

*Control module motor type R*

---

# SG 4880

---



## PRODUCT INFORMATION

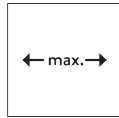
- **Operation:** motorised
- **Range:** L
- **Fitting:** ceiling, wall, recess
- **Colours:** white RAL 9016; special colours or anodised aluminum possible
- **Fabrics:** refer to Silent Gliss fabric collection

### **Features:**

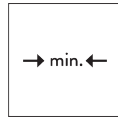
- Quiet and fast motors
- Soft stop
- Various control options
- Stainless steel brackets, adjustable for vertical alignment of fabric

# SYSTEM SPECIFICATIONS

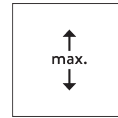
## A. SYSTEM DIMENSIONS



Tube SG 4957: 5 m  
Tube SG 4901: 4 m



72 cm\*  
\*see motor specification table



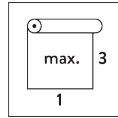
Tube SG 4957: 9 m  
Tube SG 4901: 12 m



36 m<sup>2</sup>



23 kg



Recommended width /  
height ratio  
max. 1:3

## Maximum surface area

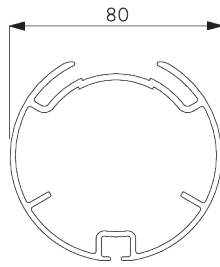
B ↓	A →								
	2 m	2.5 m	3 m	3.5 m	4 m	4.5 m	5 m		
2 m	●	●	●	●	○	○	○		
2.5 m	●	●	●	●	○	○	○		
3 m	●	●	●	●	○	○	○		
3.5 m	●	●	●	●	○	○	○		
4 m	●	●	●	●	○	○	○		
4.5 m	●	●	●	●	○	○	○		
5 m	●	●	●	●	○	○	○		
5.5 m	●	●	●	●	○	○	○		
6 m	●	●	●	●	○	○	○		
6.5 m	●	●	●	●	○	○	○		
7 m	●	●	●	●	○	○	○		
7.5 m	●	●	●	●	○	○			
8 m	●	●	●	●	○	○			
8.5 m	●	●	●	●	○				
9 m	●	●	●	●	○				
9.5 m	●	●	●	●					
10 m	●	●	●	●					
10.5 m	●	●	●						
11 m	●	●	●						
11.5 m	●	●	●	max. 36 m <sup>2</sup>					
12 m	●	●	●						

● SG 4901 (ø 80 mm)

○ SG 4957 (ø 110 mm)

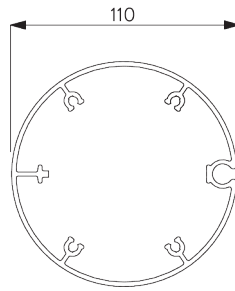
## B. PROFILE

### Profile information



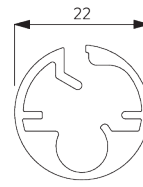
**SG 4901**

Tube ø 80 mm



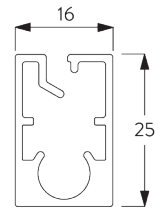
**SG 4957**

Tube ø 110 mm



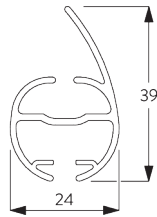
**SG 10760**

Bottom bar



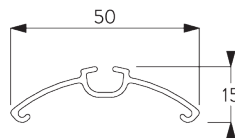
**SG 10770**

Bottom bar



**SG 4903**

Bottom bar

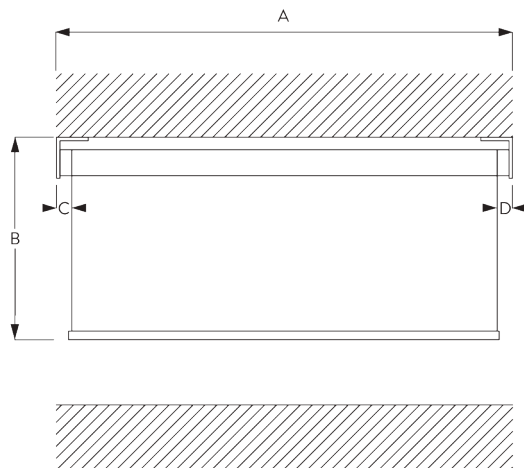


**SG 4902**

Profile

## C. HOW TO MEASURE

*incl. bracket covers  
(15 mm)*



A: System width  
B: System height

Tube SG 4901 (ø 80 mm):  
C: Light gap: 44 mm  
D: Light gap operation side: 50 mm

Tube SG 4957 (ø 110 mm):  
C: Light gap: 42 mm  
D: Light gap operation side: 52 mm

Note:  
Different light gaps see motor specifications.  
All measurements include 15 mm for bracket cover per side!

## D. SPECIFICATION

### TEXT

**Silent Gliss SG 4880 Electrically Operated Roller Blind with Smart by Silent Gliss enabled motor.** Roller blind system for heavy and large size blind applications up to 5m wide. Supplied made to measure and complete comprising anodised aluminium barrel SG 4901 (80mm tube) / SG 4957 (110mm tube) and stainless steel bracket combination set SG 4949. Fix to wall / ceiling / inside recess. Incorporating Silent Gliss patented Quick Twist SG 4902 profile for easy on-site adjustment of the fabric roll up (80mm tube only). Assembled with powder coated white finish aluminium bottom weight bar SG 10760. Integral 24V DC powered Smart by Silent Gliss motor left/right side. Operation only via Silent Gliss Smart Gateway and associated components in conjunction with compatible third-party control systems. All wiring to be strictly in accordance with Silent Gliss wiring diagrams. Fabric to be chosen from the Silent Gliss fabric range, Price Group 1R / 2R / 3R.

**Silent Gliss SG 4880 Electrically Operated Roller Blind System with SG Series 40 motor.** Roller blind system for heavy and large size blind applications up to 5m wide. Supplied made to measure and complete comprising anodised aluminium barrel SG 4901 (80mm tube) / SG 4957 (110mm tube) and stainless steel bracket combination set SG 4949. Fix to wall / ceiling / inside recess. Incorporating Silent Gliss patented Quick Twist SG 4902 profile for easy on-site adjustment of the fabric roll up. (80mm tube only). Assembled with powder coated white finish aluminium bottom weight bar SG 10760. Integral 24V DC (transformer not included) / 100-240 V AC 50/60Hz motor SG 11248 / SG 11249. Operation by dry contact switching either from fixed switch (not supplied) or third-party control system and / or SG Control L radio control system via integrated receiver. SG Control L components supplied at additional cost. All wiring to be strictly in accordance with Silent Gliss wiring diagrams. Fabric to be chosen from the Silent Gliss fabric range, Price Group 1R / 2R / 3R.

**Silent Gliss SG 4880 Electrically Operated Roller Blind System with SG Series 20 motor.** Roller blind system for heavy and large size blind applications up to 5m wide. Supplied made to measure and complete comprising anodised aluminium barrel SG 4901 (80mm tube) / SG 4957 (110mm tube) and stainless steel bracket combination set SG 4949. Fix to wall / ceiling / inside recess. Incorporating Silent Gliss patented Quick Twist SG 4902 for easy on-site adjustment of the fabric roll up (80mm tube only). Assembled with powder coated white finish aluminium bottom weight bar SG 10760. Integral 230v 50 Hz powered motor SG 10326. Operation by mains switch (not supplied) / mains switching by third party control system / SG Control R remote control system / SG Control R wireless controls at extra cost. All wiring to be strictly in accordance with Silent Gliss wiring diagrams. Fabric to be chosen from the Silent Gliss fabric range, Price Group 1R / 2R / 3R.

# FITTING

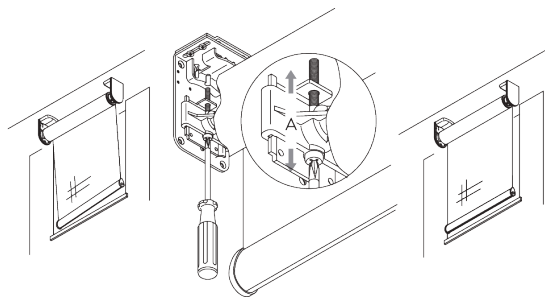
## A. FITTING INFORMATION

### Fixing points

For detailed fitting information, visit the Silent Gliss website.



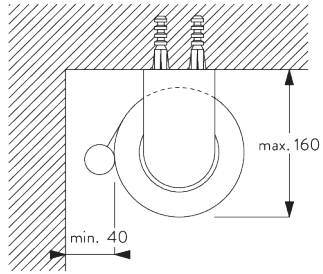
### Adjustable brackets (for vertical adjustments)



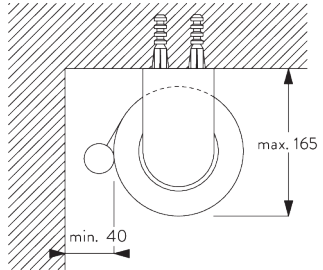
Vertical adjustment of fabric to the window frame.



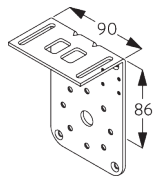
## B. CEILING FITTING



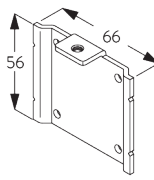
Tube SG 4901 (ø 80 mm)



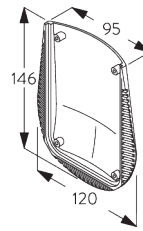
Tube SG 4957 (ø 110 mm)



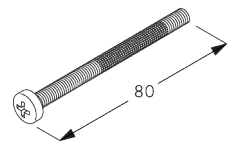
**SG 4904**  
Bracket (set SG 4949)



**SG 4906**  
Plate (set SG 4949)

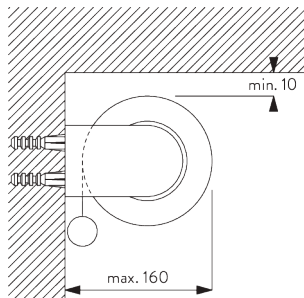


**SG 4956**  
Bracket cover

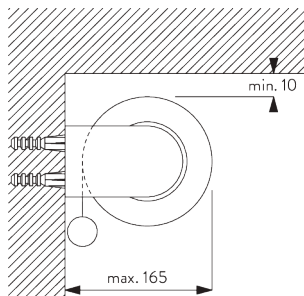


**SG 4966**  
Special screw (set SG 4949)

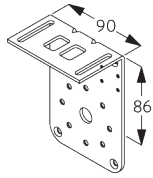
## C. WALL FITTING



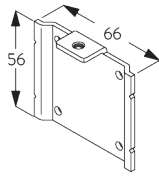
Tube SG 4901 (ø 80 mm)



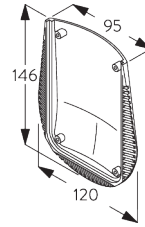
Tube SG 4957 (ø 110 mm)



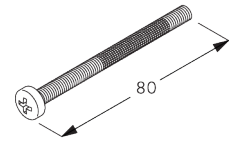
**SG 4904**  
Bracket (set SG 4949)



**SG 4906**  
Plate (set SG 4949)

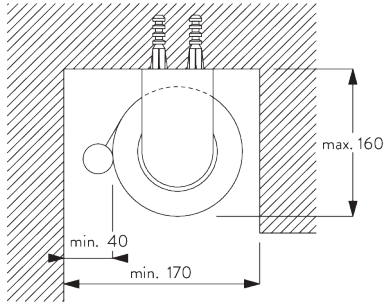


**SG 4956**  
Bracket cover

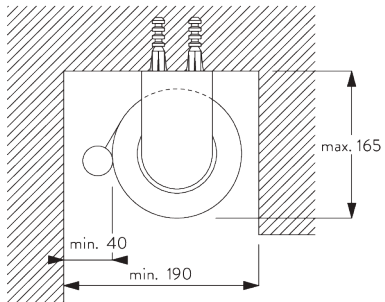


**SG 4966**  
Special screw (set SG 4949)

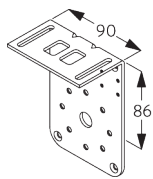
## D. RECESS FITTING



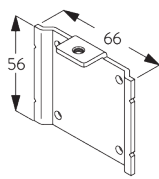
Tube SG 4901 (ø 80 mm)



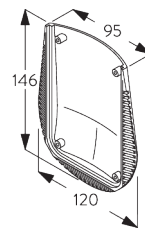
Tube SG 4957 (ø 110 mm)



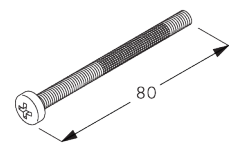
**SG 4904**  
Bracket (set SG 4949)



**SG 4906**  
Plate (set SG 4949)

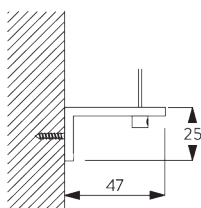


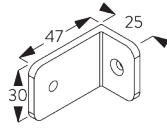
**SG 4956**  
Bracket cover



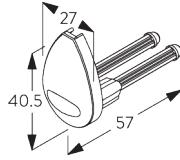
**SG 4966**  
Special screw (set SG 4949)

## E. FITTING WITH SIDE GUIDE OPTION

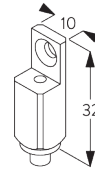




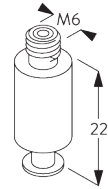
**SG 3036**  
Bracket 47 mm



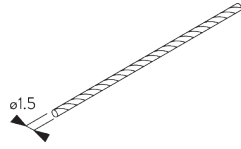
**SG 4944**  
Side guide end cover



**SG 4946**  
Side guide wire rope fastener



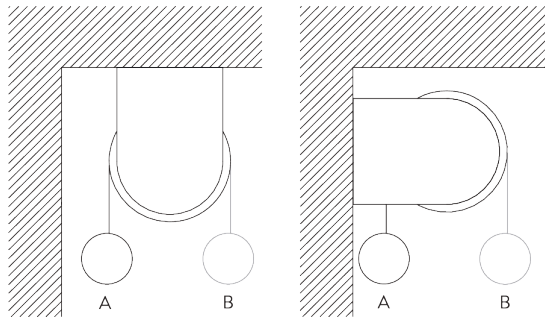
**SG 4947**  
Side guide wire rope fastener



**SG 4948**  
Side guide wire  $\varnothing$  1.5 mm

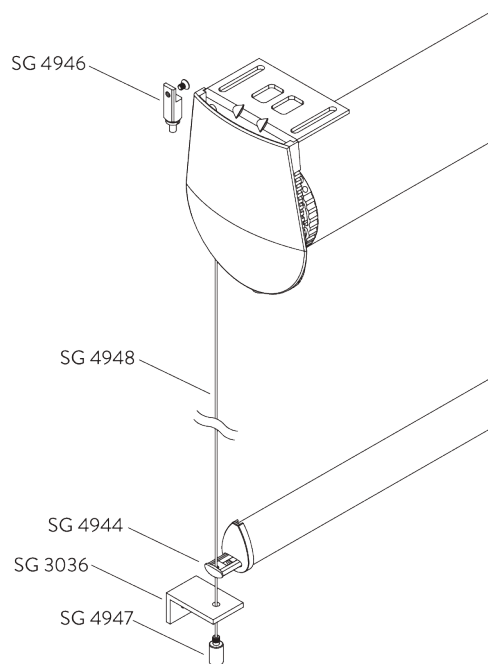
## SYSTEM OPTIONS

### A. FABRIC ROLL-OFF



A: Fabric roll-off window side (standard)  
B: Fabric roll-off room side (option)

### B. SIDE GUIDES



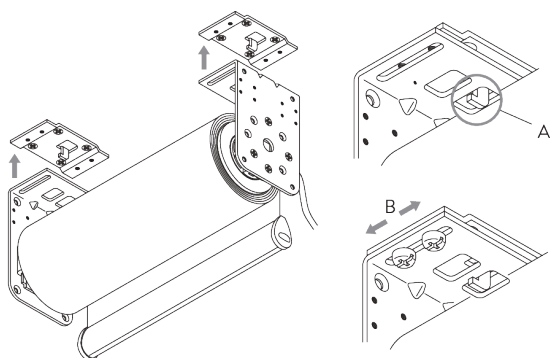
#### Additional parts:

- 2x SG 3036 Bracket 47 mm
- 2x SG 4944 Side guide end cover
- 2x SG 4946 Side guide wire rope fastener
- 2x SG 4947 Side guide wire rope fastener
- 2x SG 4948 Side guide wire  $\varnothing$  1.5 mm

#### Note:

- Light gaps increase when side-guide option is used
- Up to 15° from vertical

### C. HOOK-IN INSTALLATION PLATES



A: Hook-in plates SG 4972 take the weight of the blind  
B: Brackets sideways adjustable by up to 18 mm.

# MOTORS & CONTROLS

### A. MOTOR FEATURES

	50-Series	40-Series	20-Series
Motors	SG 11255	SG 11248 SG 11249	SG 10326 SG 10428

#### Motor Features

Soft stop	●	●	●
Electronic end-stop	●	●	●
Electronic revolution counter (unlimited revolution)	●	●	●
Two intermediate positions possible		●	
Bottom bar alignment	●	●	
Noiseless stop			●
Parallel wiring possible without additional relays		●	●
Disconnectable motor cable	●	●	●
IP class	IP 30	IP 30	IP 44

#### Control Features

Mains power control			●
Dry contact control		●	
Dry contact and / or SG Control L control		●	
SG Control L (built-in receiver)		●	
SG Control R (external receiver required)			●
Smart by Silent Gliss	●		
Suitable for most major home automation systems (with suitable interface)		●	●

### B. MOTOR SPECIFICATIONS

#### Tube SG 4901

Motors	Light gaps C / D = driving side	Min. system width	Voltage	Current	Frequency	Speed	Frequency receiver
--------	------------------------------------	----------------------	---------	---------	-----------	-------	-----------------------

#### 50-Series (Smart by Silent Gliss)

SG 11255	C: 44 mm / D: 51 mm	74 cm	24 V DC	2.95 A	n/a	20 rpm	n/a
----------	---------------------	-------	---------	--------	-----	--------	-----

#### 40-Series

SG 11248	C: 44 mm / D: 51 mm	74 cm	100-240 V AC	1.1 A	50-60 Hz	20 rpm	868 MHz
SG 11249	C: 44 mm / D: 51 mm	74 cm	24 V DC	3 A	n/a	20 rpm	868 MHz

#### 20-Series

SG 10326 (standard)	C: 44 mm / D: 50 mm	72 cm	230 V AC	0.9 A	50 Hz	23 rpm	n/a
SG 10428	C: 44 mm / D: 50 mm	72 cm	120 V AC	1.75 A	50 Hz	17 rpm	n/a

Tube SG 4957

Motors	Light gaps C / D = driving side	Min. system width	Voltage	Current	Frequency	Speed	Frequency receiver
<b>50-Series (Smart by Silent Gliss)</b>							
SG 11255	C: 42 mm / D: 54 mm	74 cm	24 V DC	2.95 A	n/a	20 rpm	n/a
<b>40-Series</b>							
SG 11248	C: 42 mm / D: 54 mm	74 cm	100-240 V AC	1.1 A	50-60 Hz	20 rpm	868 MHz
SG 11249	C: 42 mm / D: 54 mm	74 cm	24 V DC	3 A	n/a	20 rpm	868 MHz
<b>20-Series</b>							
SG 10326 (standard)	C: 42 mm / D: 52 mm	73 cm	230 V AC	0.9 A	50 Hz	23 rpm	n/a
SG 10428	C: 42 mm / D: 52 mm	73 cm	120 V AC	1.75 A	50 Hz	17 rpm	n/a

**C. OPERATING  
METHODS**

See catalogue "controls" for details.

**Wall Switch**



System can be operated by fixed wall switch.

**SG Control L**



Various radio hand-held and wall transmitters available.



Silent Gliss Move App.

**SG Control R**



Various radio hand-held and wall transmitters available.  
An external receiver is required.

**Smart by Silent Gliss**



Open designed two-way communication system which allows to flawlessly integrate products with most major building management systems.


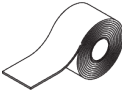


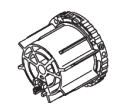
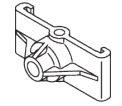

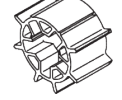
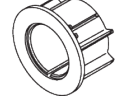
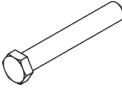
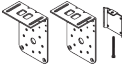

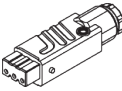
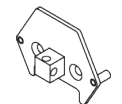
**D. WIRING  
DIAGRAMS**

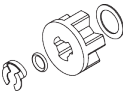

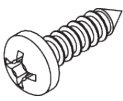
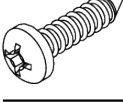






Refer to Silent Gliss website.

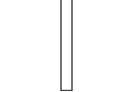
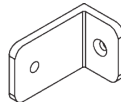
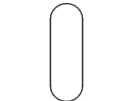

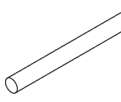
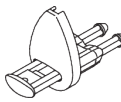
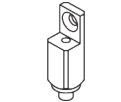


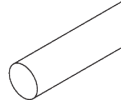
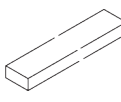
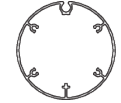
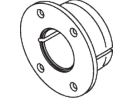
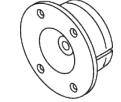
# PARTS


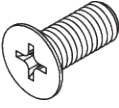
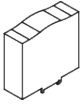
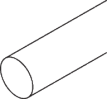
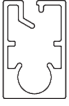
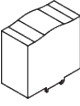
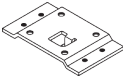

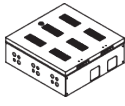
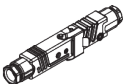
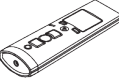
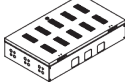
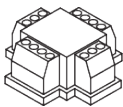

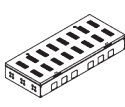
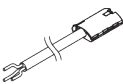



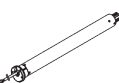










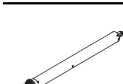

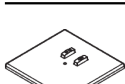



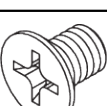
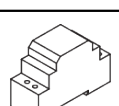
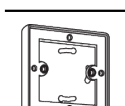

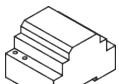
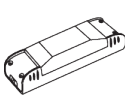
## A. STANDARD PARTS

	<b>SG 4223</b> PVC strip 14 mm
	<b>SG 4226</b> Double tape 30 mm
	<b>SG 4901</b> Tube ø 80 mm
	<b>SG 4902</b> Profile
	<b>SG 4914</b> Tube adapter
	<b>SG 4915</b> Support
	<b>SG 4926</b> Motor flange
	<b>SG 4927</b> Motor drive
	<b>SG 4928</b> Tube adapter
	<b>SG 4939</b> Shaft
	<b>SG 4949</b> Bracket set
	<b>SG 4956</b> Bracket cover
	<b>SG 9917</b> Hirschmann portable socket-outlet STAK 3 N
	<b>SG 10285</b> Motor plate M

	<b>SG 10292</b> Motor drive set
	<b>SG 10326</b> Tubular motor 230V AC, 20 Series 15/23
	<b>SG 10503</b> Pan head screw 3.5x13
	<b>SG 10506</b> Pan head screw 3.9x16
	<b>SG 10507</b> Pan head screw 3.5x6.5
	<b>SG 10509</b> Countersunk head screw M5x8
	<b>SG 10760</b> Bottom bar
	<b>SG 10761</b> End cover

## B. OPTIONAL PARTS

	<b>SG 2006</b> Bottom bar 28x3 mm
	<b>SG 3036</b> Bracket 47 mm
	<b>SG 4752</b> Bottom bar plastic
	<b>SG 4903</b> Bottom bar
	<b>SG 4943</b> Rod ø 4 mm
	<b>SG 4944</b> Side guide end cover
	<b>SG 4946</b> Side guide wire rope fastener
	<b>SG 4947</b> Side guide wire rope fastener
	<b>SG 4948</b> Side guide wire ø 1.5 mm
	<b>SG 4951</b> Bottom weight ø 8 mm
	<b>SG 4952</b> Bar weight
	<b>SG 4957</b> Tube ø 110 mm
	<b>SG 4959</b> Tube adapter
	<b>SG 4961</b> Tube adapter

	<b>SG 4962</b> Motor drive		<b>SG 10508</b> Countersunk head screw M5x12		<b>SG 11265</b> Power supply 24V DC, 5A DIN Rail
	<b>SG 4963</b> Rod ø 6 mm		<b>SG 10770</b> Bottom bar		<b>SG 11266</b> Power supply 24V DC, 10A DIN Rail
	<b>SG 4972</b> Installation plate		<b>SG 10771</b> End cover		<b>SG 11281</b> Cabinet for 8 systems
	<b>SG 9916</b> Hirschmann plug set		<b>SG 10804</b> Radio hand held 15+5+1 channel		<b>SG 11282</b> Cabinet for 24 systems
	<b>SG 9959</b> Central control unit relay		<b>SG 11178</b> End cover		<b>SG 11283</b> Cabinet for 56 systems
	<b>SG 10293</b> Cable 230V AC, 2/3/5/10 m		<b>SG 11248</b> Tubular motor 100-240V AC, 40-Series 10/20, radio receiver		<b>SG 11319</b> Plug 4-pin, MC 1.5/4-ST-3.81
	<b>SG 10300</b> Radio hand held 1 channel		<b>SG 11249</b> Tubular motor 24V DC, 40-Series 10/20		<b>SG 11321</b> Motor drive
	<b>SG 10302</b> Radio hand held 5+1 channel		<b>SG 11255</b> Motor 24V DC, 50-Series 10/20		<b>SG 11480</b> Radio wall transmitter 1 channel
	<b>SG 10303</b> Radio hand held 10+2+1 channel		<b>SG 11259</b> Motor plate M		<b>SG 11490</b> Radio wall transmitter 5+1 channel
	<b>SG 10327</b> Tubular motor 230V AC, 20 Series 15/23, radio receiver		<b>SG 11260</b> Gateway Cedia		<b>SG 20336</b> Hand held transmitter 8 channel
	<b>SG 10428</b> Tubular motor 120V AC, 20 Series 16/17, UL		<b>SG 11261</b> Gateway KNX		<b>SG 20913</b> Wall switch single channel
	<b>SG 10429</b> Tubular motor 120V AC, 20 Series 16/17, UL		<b>SG 11262</b> Expansion unit		<b>SG 20914</b> Wall switch 8 channel
	<b>SG 10502</b> Countersunk head screw M4x6		<b>SG 11263</b> Power supply 24V DC, 2.5A DIN Rail		<b>SG 20917</b> Pattress box
	<b>SG 10504</b> Pan head screw Freedrive M5x8		<b>SG 11264</b> Power supply 24V DC, 3.8A DIN Rail		<b>SG 20919</b> Control module motor type R

## ***The Architects of Silence***

***Silent Gliss is the leading global supplier of premium interior window treatments. Since 1952 we have been tirelessly committed to the development of the world's smoothest, quietest systems using state of the art technology.***

*Driven by customer needs, Silent Gliss offers functional and durable products. Expert technical advice coupled with installation and support services complete the offer. Silent Gliss stands for innovative, sustainable, tailor made solutions, exceptional design and first-class quality.*

### **Silent Gliss Ltd.**

Pyramid Business Park  
Poorhole Lane, Broadstairs  
Kent CT10 2PT  
United Kingdom  
**T** +44 1843 863571  
**F** +44 1843 864503  
info@silentgliss.co.uk

### **Silent Gliss Global Ltd.**

Pyramid Business Park  
Poorhole Lane, Broadstairs  
Kent CT10 2PT  
United Kingdom  
**T** +44 1843 874250  
**F** +44 1843 864503  
info@silentglissglobal.com

### **Silent Gliss Blinds Trading LLC**

Office 1906  
The H Hotel Complex  
Trade Center First  
Dubai  
United Arab Emirates  
**T** +971 4 7050318  
info@silentgliss.ae

**silentgliss.co.uk**  
**silentglissglobal.com**  
**silentgliss.ae**