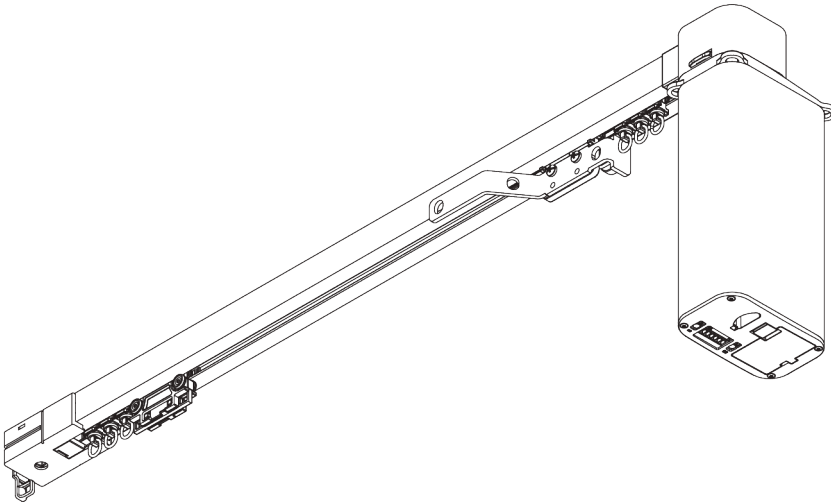
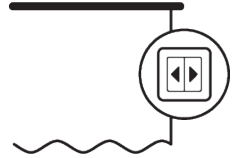


# SG 5600

---



## PRODUCT INFORMATION

- **Operation:** motorised
- **Range:** S - L
- **Fitting:** ceiling, wall, recess
- **Colours:** white RAL 9016, black RAL 9005 or anodised aluminum, special colours possible (recess profile only in white RAL 9016, black RAL 9005 or special color)
- **Fabrics:** refer to Silent Gliss fabric collection

### **Features:**

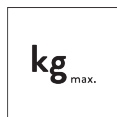
- Quiet, fast and powerful motor
- 2-component (2C) roller technology
- Wave (2C)
- Various control options
- Touch & Go
- Manual override incl. permanent positioning sensor
- Easy programming
- 100-250 AC and / or 24 V DC in one motor
- Bendable
- Bendable recess profile
- UL version available

# SYSTEM SPECIFICATIONS

## A. SYSTEM DIMENSIONS



25 m



65 kg

### Max. curtain weights with 2C rollers / Wave rollers

Up to 12 m: Touch & Go, manual override, auto programming mode

	2 m	4 m	6 m	8 m	10 m	12 m	15 m	18 m	21 m	25 m
	25	45	45	50	65	45	45	45	45	40
	25	45	45	50	65	45	45	45	45	40
	25	35	35	40	35	35	35	32	29	25
	25	35	35	40	35	35	35	32	29	25
	25	30	30	30	25	25	22	19	15	-
	25	30	30	30	25	25	22	19	15	-
	20	20	20	18	16	12	10	-	-	-
	20	20	20	18	16	12	10	-	-	-

(kg max.)

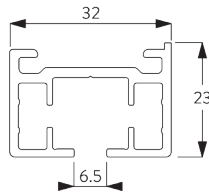
### Max. curtain weights with Wave gliders

	2 m	4 m	6 m	8 m	10 m
	20	25	25	25	20
	20	25	25	25	20
	20	20	20	20	15
	20	20	20	20	15
	20	20	20	15	10
	20	20	20	15	10
	20	20	15	8	-
	20	20	15	8	-

(kg max.)

## B. PROFILE

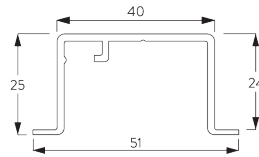
### Profile and bending information



**SG 10850**

Profile

Radius:  
✓ >25 cm

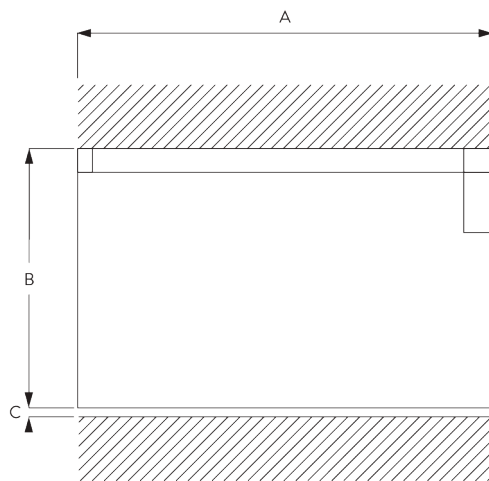


**SG 10862**

Recess profile

Radius:  
✓ 50 - 75 cm  
>75 cm on request

## C. HOW TO MEASURE



A: System width  
B: System height  
C: Distance between floor and fabric

## D. SPECIFICATION TEXT

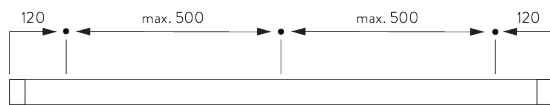
**Silent Gliss SG 5600 Electrically Operated Curtain Track with Smart by Silent Gliss enabled motor.** Comprises aluminium profile SG 10850 in silver anodized / white / black powder coated finish complete and ready assembled with interference free brushless motor SG 9060 with plug in 'Smart by Silent Gliss module SG 11270. Includes internal drive belt SG 10825, belt return set SG 10819. Supplied with 2C roller gliders SG 10840 / Wave 2C glider cord 60mm SG 10906 / Wave 2C 80mm glider cord SG 10905 / 2C Wave roller glider cord 60mm SG 10869 / 2C Wave roller glider cord 80mm SG 10852. Features manual 'Touch and Go' operation and manual override in the event of power failure. Top fixed with clamps SG 3004 at max. 500mm centres / face fixed with Silent Gliss Smart Fix extension bracket range. Optional recess profile SG 10862. Operation by compatible third-party control system offering full two-way communication. Powered by 24V DC power supply (not supplied) or mains power. Permanent memory limit switching positions. Only to be used in conjunction with associated 'Smart by Silent Gliss' Gateway and components. All wiring to be strictly in accordance with Silent Gliss wiring diagrams.

**Silent Gliss SG 5600 Electrically Operated Curtain Track.** Comprises aluminium profile SG 10850 in silver anodized / white / black powder coated finish complete and ready assembled with interference free brushless motor SG 9060. Includes internal drive belt SG 10825, belt return set SG 10819. Supplied with 2C roller glider SG 10840 / Wave 2C glider cord 60mm SG 10906 / Wave 2C 80mm glider cord SG 10905 / 2C Wave roller glider cord 60mm SG 10869 / 2C Wave roller glider cord 80mm SG 10852. Features manual 'Touch and Go' operation (with permanent power only) and manual override in the event of power failure. Top fixed with clamps SG 3004 at max. 500mm centre / face fixed with Silent Gliss Smart Fix extension bracket range. Optional recess profile SG 10862. Operation by mains or dry contact switching. Optional plug in receiver modules for switching by Silent Gliss radio control systems SG Control L / SG Control R. Operation via app possible using Move Server Set SG 9960 (requires radio control module SG 9063). Mains or 24v DC power supply (power supply not included). Permanent memory limit switching positions. All wiring to be strictly in accordance with Silent Gliss wiring diagrams.

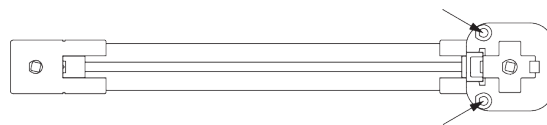
# FITTING

## A. FITTING INFORMATION

### Fixing points



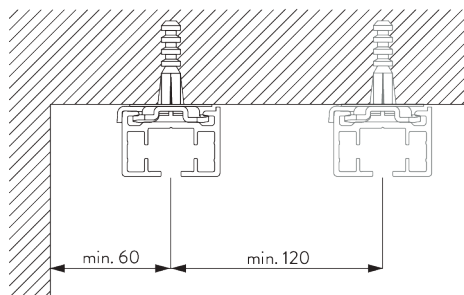
For detailed fitting information, visit the [Silent Gliss website](#).



Motor holder to be fixed (ceiling fitting only).

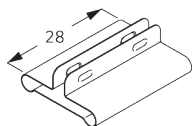
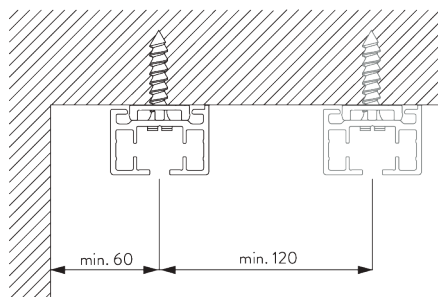
## B. CEILING FITTING

### Clamp SG 3004

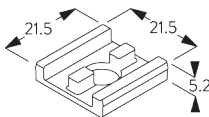


**SG 3004**  
Clamp

### Direct fitting (2C roller only)



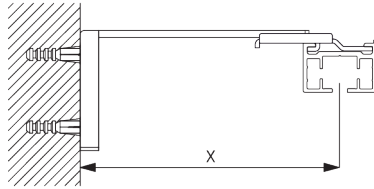
**SG 7002**  
Profile protector



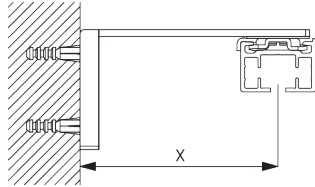
**SG 10865**  
Support plate

## C. WALL FITTING

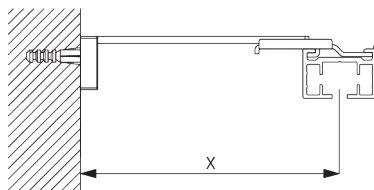
### Smart Fix



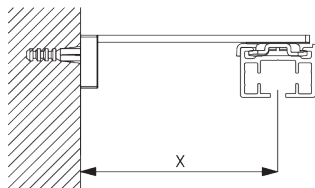
**Smart Fix SG 11200 - SG 11205 and bracket SG 3041:**  
Screw SG 10492 (M4x8) needed.



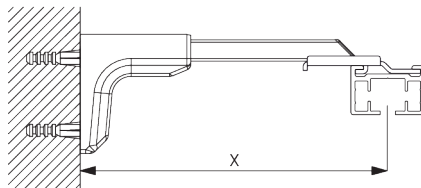
**Smart Fix SG 11200 - SG 11205 and clamp SG 3004:**  
Screw SG 10074 (M4x8) needed.



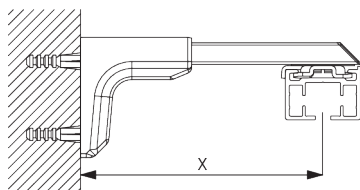
**Square Smart Fix SG 11210 - SG 11215 and bracket SG 3041:**  
Screw SG 10492 (M4x8) needed.



**Square Smart Fix SG 11210 - SG 11215 and clamp SG 3004:**  
Screw SG 10074 (M4x8) needed.

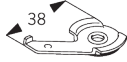


**Universal Smart Fix SG 11154 - SG 11156 and bracket SG 3041:**  
Screw SG 10407 (M4x10) needed.

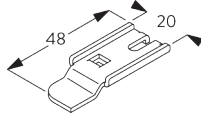


**Universal Smart Fix SG 11154 - SG 11156 and clamp SG 3004:**  
Screw SG 11158 (M4x12) needed.

Smart Fix	X mm (SG 3041)	X mm (SG 3004)
SG 11200 / SG 11210	83	
SG 11201 / SG 11211	103	72
SG 11202 / SG 11212	123	92
SG 11203 / SG 11213	143	112
SG 11204 / SG 11214	173	142
SG 11205 / SG 11215	223	192
SG 11154	128-156	102-130
SG 11155	158-186	132-160
SG 11156	208-236	182-210



**SG 3004**  
Clamp



**SG 3041**  
Bracket



**SG 10074**  
Countersunk head screw  
M4x8



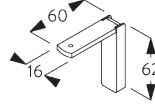
**SG 10407**  
Pan head screw M4x10



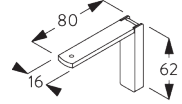
**SG 10492**  
Pan head screw M4x8



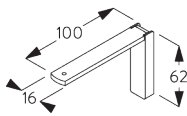
**SG 11158**  
Countersunk head screw  
M4x12



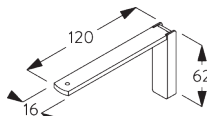
**SG 11200**  
Smart Fix 60 mm



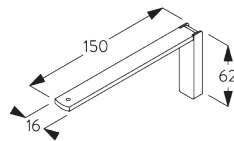
**SG 11201**  
Smart Fix 80 mm



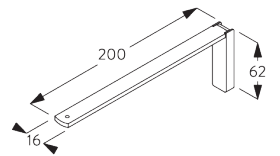
**SG 11202**  
Smart Fix 100 mm



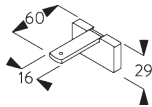
**SG 11203**  
Smart Fix 120 mm



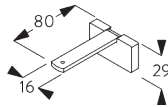
**SG 11204**  
Smart Fix 150 mm



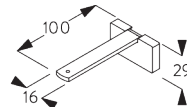
**SG 11205**  
Smart Fix 200 mm



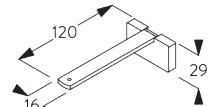
**SG 11210**  
Square Smart Fix 60 mm



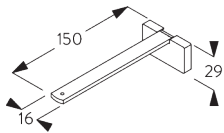
**SG 11211**  
Square Smart Fix 80 mm



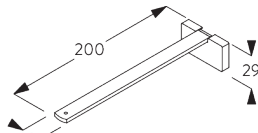
**SG 11212**  
Square Smart Fix 100 mm



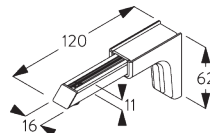
**SG 11213**  
Square Smart Fix 120 mm



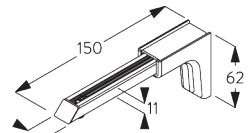
**SG 11214**  
Square Smart Fix 150 mm



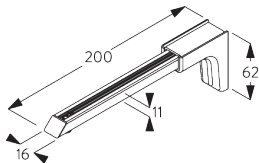
**SG 11215**  
Square Smart Fix 200 mm



**SG 11154**  
Universal Smart Fix 120 mm



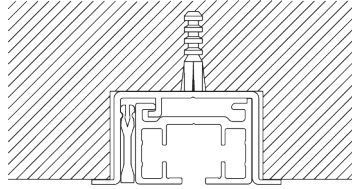
**SG 11155**  
Universal Smart Fix 150 mm



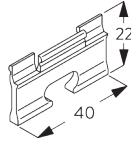
**SG 11156**  
Universal Smart Fix 200 mm

## D. RECESS FITTING

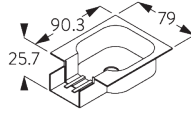
### Recess profile SG 10862



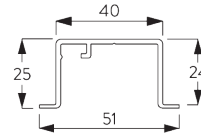
One wedge SG 5118 per fixing point.  
For detailed recess fitting, visit the Silent Gliss website.



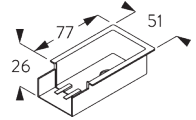
**SG 5118**  
Wedge



**SG 10863**  
Recess mask

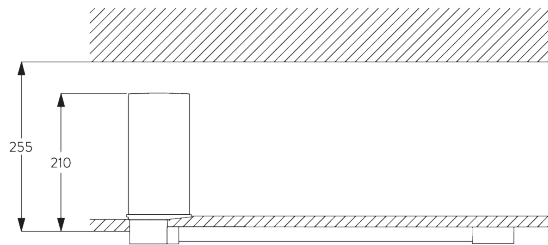


**SG 10862**  
Recess profile



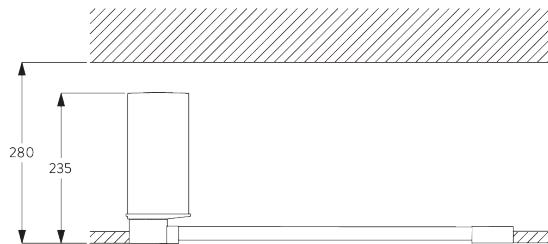
**SG 10864**  
Recess mask

### Motor recessed in suspended ceiling



Profile mounted with clamp SG 3004.

Access to the ceiling space is necessary for assembly / programming.

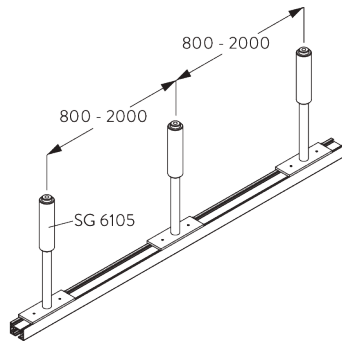


Profile SG 10862 recessed into ceiling.

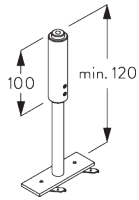
Access to the ceiling space is necessary for assembly / programming.

**E. SUSPENDED  
FITTING**

**Hanger SG 6105**



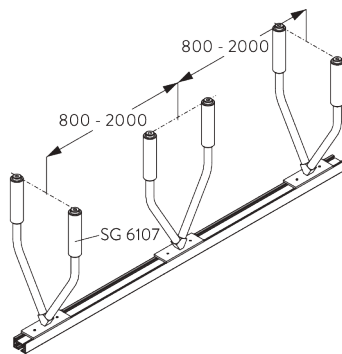
*Curtain weight reduces by 30%.*



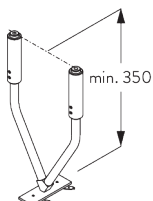
**SG 6105**

*Hanger with plate*

**V-hanger SG 6107**



*Curtain weight reduces by 30%.*



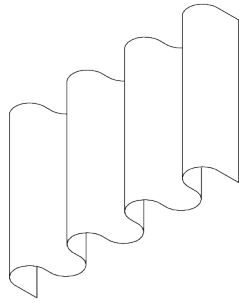
**SG 6107**

*V-Hanger with plate*



# SYSTEM OPTIONS

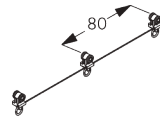
## A. WAVE



SG 6365



SG 10844



SG 10852



SG 10854



SG 10856



SG 10867



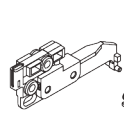
SG 10886



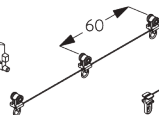
SG 10887

### Standard components:

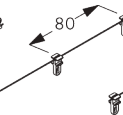
- SG 6365 Wave hanger
- SG 10844 Wave end stop
- SG 10852 Wave 2C roller cord, 80 mm
- SG 10854 Wave overlap arm support
- SG 10856 Wave end stop, belt return
- SG 10867 Panhead screw
- SG 10886 Wave extension
- SG 10887 Wave overlap arm set



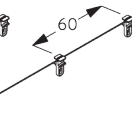
SG 10845



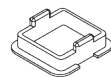
SG 10869



SG 10905



SG 10906



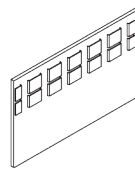
SG 10924

### Optional components:

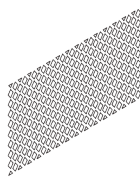
- SG 10845 Wave master carrier single stack 80 mm
- SG 10869 Wave 2C roller cord, 60 mm (no single stack)
- SG 10905 Wave glider cord, 80 mm
- SG 10906 Wave glider cord, 60 mm (no single stack)
- SG 10924 Wave glider support



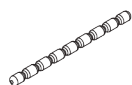
SG 3582



SG 6349



SG 6363



SG 10075

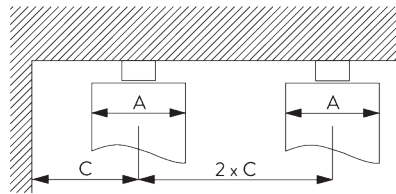
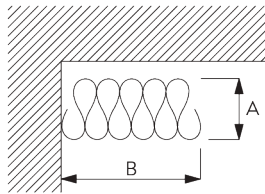


SG 10076

### Curtain components:

- SG 3582 Hook
- SG 6349 Wave curtain tape
- SG 6363 Wave top hemming tape
- SG 10075 Lead weight 50 gr/m
- SG 10076 Fabric weight

Wave stack depth - 2C roller / glider cord (standard components)



A = Stack depth  
B = Stack size  
C = Min. distance

Roller / glider cord SG 10852 / 10905	Pockets between hooks	Approx. curtain fullness	Stack depth A	Stack size B*	Min distance C
80	6	~2.1	140	210 per metre of track	90
80	7	~2.3	160	210 per metre of track	100

Roller / glider cord SG 10869 / 10906	Pockets between hooks	Approx. curtain fullness	Stack depth A	Stack size B*	Min distance C
60	4	~2.1	100	260 per metre of track	70
60	5	~2.3	120	260 per metre of track	80

\*Stack size B plus 190 mm for each curtain stack!

# MOTOR & CONTROLS

## A. MOTOR FEATURES

Motor	SG 9060
-------	---------

### Motor Features

Soft start / stop	●
Touch & Go	●
Manual Override	●
Modular radio system (optional)	●
Electronic end-stop	●
Electronic revolution counter (unlimited revolution)	●
Two intermediate positions possible	●
Parallel wiring possible without additional relays	●
High-end DC motor with brushless technology	●
Permanent positioning sensor (even without power)	●
100 - 250 V AC and / or 24 V DC in one motor	●
Cable connectable with plug into motor	●
IP class	IP 40

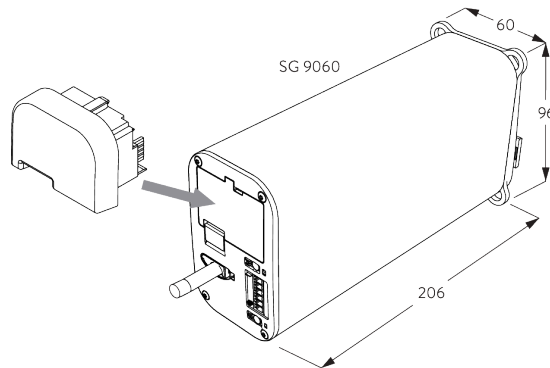
### Control Features

Mains power control	●
Dry contact control	●
Dry contact and / or SG Control L (with radio module)	●
Dry contact and / or SG Control R (with radio module)	●
SG Control L (with radio module)	●
SG Control R (with radio module)	●
Smart by Silent Gliss (with smart module)	●
Suitable for all common home automation systems (with suitable interface)	●

## B. MOTOR SPECIFICATIONS

Motor	Motor dimensions	Voltage AC	Voltage DC	Current	Frequency	System speed / sec	Frequency receiver
SG 9060	L 206 x W 60 x D 96	100 - 250 V AC	24 V DC	1.3 - 0.5 A	50 - 60 Hz	21 cm / sec	n/a
SG 9060 w/ SG Control L	L 226 x W 60 x D 96	100 - 250 V AC	24 V DC	1.3 - 0.5 A	50 - 60 Hz	21 cm / sec	868/915 MHz
SG 9060 w/ SG Control R	L 226 x W 60 x D 96	100 - 250 V AC	24 V DC	1.3 - 0.5 A	50 - 60 Hz	21 cm / sec	433 MHz
SG 9060 w/ Smart by SG	L 226 x W 60 x D 96	100 - 250 V AC	24 V DC	1.3 - 0.5 A	50 - 60 Hz	21 cm / sec	Smart by SG

## C. MOTOR DIMENSIONS / MODULES



Motor SG 9060 can be equipped with following modules:

- SG 9063 Radio module SG Control L
- SG 11411 Radio module SG Control R
- SG 11270 Smart module

See catalogue "controls" for details.

## D. OPERATING METHODS

See catalogue "controls" for details.

Wall switch



System can be operated by fixed wall switch.

SG Control L



Various radio hand-held and wall transmitters available.



Silent Gliss Move App.

SG Control R



Various radio hand-held and wall transmitters available.

Smart by Silent Gliss



Open designed two-way communication system which allows to flawlessly integrate products with most major building management systems. Smart module SG 11270 required.


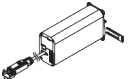
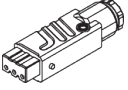
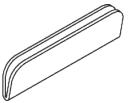
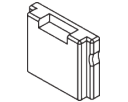
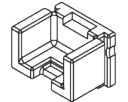
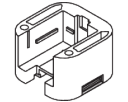
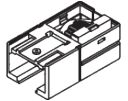
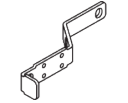
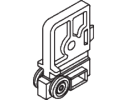
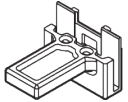
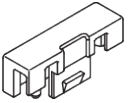
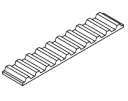
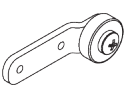
**E. WIRING**  
**DIAGRAMS**

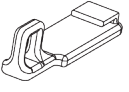
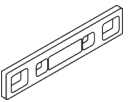
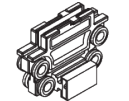

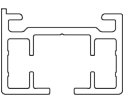
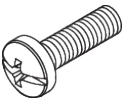


*Refer to Silent Gliss website.*

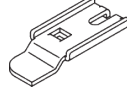
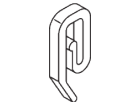
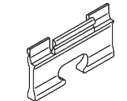
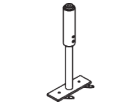



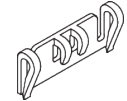

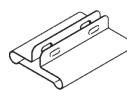
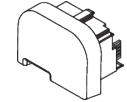
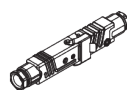
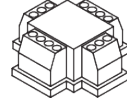
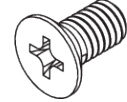
# PARTS

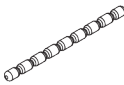
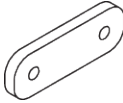
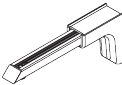
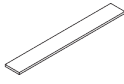
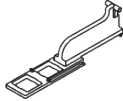
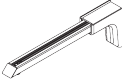
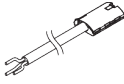
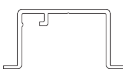
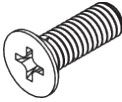

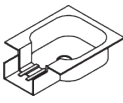
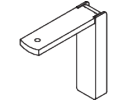

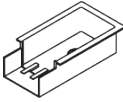
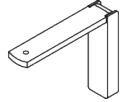

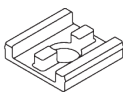
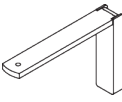
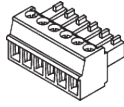
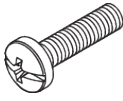
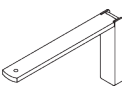

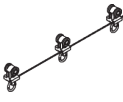
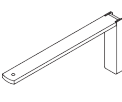
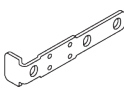
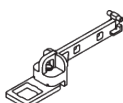
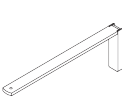

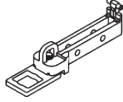
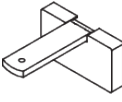
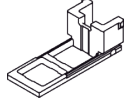
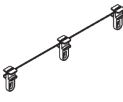
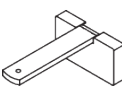
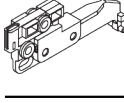
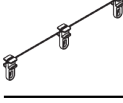
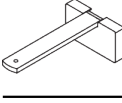
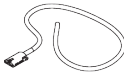
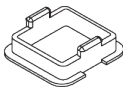
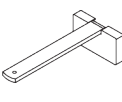
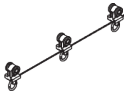
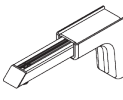
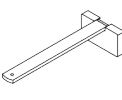
## A. STANDARD PARTS

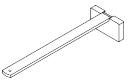
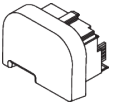
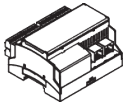
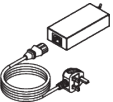
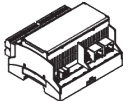
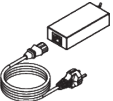
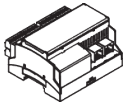
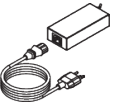
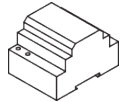
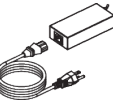
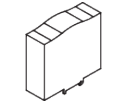

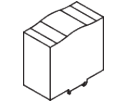

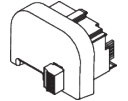

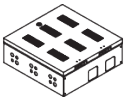

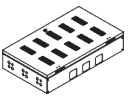

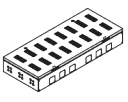
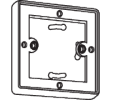
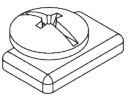
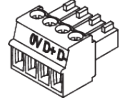
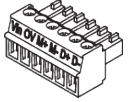
	<b>SG 3004</b> Clamp
	<b>SG 9060</b> Motor 100-250V AC & 24V DC
	<b>SG 9917</b> Hirschmann portable socket-outlet STAK 3 N
	<b>SG 10725</b> Programming distance holder
	<b>SG 10815</b> Cover
	<b>SG 10816</b> Cover
	<b>SG 10817</b> Motor holder
	<b>SG 10819</b> Belt return
	<b>SG 10821</b> Overlap arm
	<b>SG 10822</b> Master carrier
	<b>SG 10823</b> Belt connector arm
	<b>SG 10824</b> Belt connector pin
	<b>SG 10825</b> Belt
	<b>SG 10826</b> Overlap arm support

	<b>SG 10836</b> Mask pair stack
	<b>SG 10837</b> Pilot runner
	<b>SG 10838</b> Pilot runner
	<b>SG 10840</b> 2C roller
	<b>SG 10850</b> Profile
	<b>SG 10923</b> Pan head screw Freedriv M4x12

## B. OPTIONAL PARTS

	<b>SG 3041</b> Bracket
	<b>SG 3582</b> Hook
	<b>SG 5118</b> Wedge
	<b>SG 6105</b> Hanger with plate
	<b>SG 6107</b> V-Hanger with plate
	<b>SG 6349</b> Wave curtain tape
	<b>SG 6363</b> Wave top hemming tape
	<b>SG 6365</b> Wave hanger
	<b>SG 6794</b> Pan head screw 2.9x38 DIN 7981C
	<b>SG 7002</b> Profile protector
	<b>SG 9063</b> Radio module type L
	<b>SG 9916</b> Hirschmann plug set
	<b>SG 9959</b> Central control unit relay
	<b>SG 10074</b> Countersunk head screw M4x8

	<b>SG 10075</b> Lead weight 50 g/m		<b>SG 10854</b> Wave overlap plate		<b>SG 11155</b> Universal Smart Fix 150 mm
	<b>SG 10076</b> Fabric weight		<b>SG 10856</b> Wave extension		<b>SG 11156</b> Universal Smart Fix 200 mm
	<b>SG 10293</b> Cable 230V AC, 2/3/5/10 m		<b>SG 10862</b> Recess profile		<b>SG 11158</b> Countersunk head screw M4x12
	<b>SG 10300</b> Radio hand held 1 channel		<b>SG 10863</b> Recess mask		<b>SG 11200</b> Smart Fix 60 mm
	<b>SG 10302</b> Radio hand held 5+1 channel		<b>SG 10864</b> Recess mask		<b>SG 11201</b> Smart Fix 80 mm
	<b>SG 10303</b> Radio hand held 10+2+1 channel		<b>SG 10865</b> Support plate		<b>SG 11202</b> Smart Fix 100 mm
	<b>SG 10714</b> Plug 6-pin, MC 1.5/6-ST-3.81		<b>SG 10867</b> Pan head screw Freedriv M4x16		<b>SG 11203</b> Smart Fix 120 mm
	<b>SG 10804</b> Radio hand held 15+5+1 channel		<b>SG 10869</b> Wave 2C roller cord 60 mm		<b>SG 11204</b> Smart Fix 150 mm
	<b>SG 10820</b> Overlap arm		<b>SG 10886</b> Wave extension		<b>SG 11205</b> Smart Fix 200 mm
	<b>SG 10831</b> Connection bridge		<b>SG 10887</b> Wave extension		<b>SG 11210</b> Square Smart Fix 60 mm
	<b>SG 10844</b> Wave end stop		<b>SG 10905</b> Wave glider cord 80 mm		<b>SG 11211</b> Square Smart Fix 80 mm
	<b>SG 10845</b> Wave master carrier		<b>SG 10906</b> Wave glider cord 60 mm		<b>SG 11212</b> Square Smart Fix 100 mm
	<b>SG 10851</b> 2 m cable UL certified incl. plug only for USA		<b>SG 10924</b> Wave glider support		<b>SG 11213</b> Square Smart Fix 120 mm
	<b>SG 10852</b> Wave 2C roller cord 80 mm		<b>SG 11154</b> Universal Smart Fix 120 mm		<b>SG 11214</b> Square Smart Fix 150 mm

	<b>SG 11215</b> Square Smart Fix 200 mm		<b>SG 11411</b> Radio module type R
	<b>SG 11260</b> Gateway Cedia		<b>SG 11412</b> Power supply 24V / 4A lead including cable UK plug
	<b>SG 11261</b> Gateway KNX		<b>SG 11414</b> Power supply 24V / 4A including cable EU plug
	<b>SG 11262</b> Expansion unit		<b>SG 11415</b> Power supply 24V / 4A including cable CH plug
	<b>SG 11264</b> Power supply 24V DC, 3.8A DIN Rail		<b>SG 11416</b> Power supply 24V / 4A including cable US plug
	<b>SG 11265</b> Power supply 24V DC, 5A DIN Rail		<b>SG 11480</b> Radio wall transmitter 1 channel
	<b>SG 11266</b> Power supply 24V DC, 10A DIN Rail		<b>SG 11490</b> Radio wall transmitter 5+1 channel
	<b>SG 11270</b> Smart module		<b>SG 20336</b> Hand held transmitter 8 channel
	<b>SG 11281</b> Cabinet for 8 systems		<b>SG 20913</b> Wall switch single channel
	<b>SG 11282</b> Cabinet for 24 systems		<b>SG 20914</b> Wall switch 8 channel
	<b>SG 11283</b> Cabinet for 56 systems		<b>SG 20917</b> Pattress box
	<b>SG 11295</b> End stop		
	<b>SG 11318</b> Plug 4-pin, MC 1.5/4-ST-3.5		
	<b>SG 11325</b> Smart plug 6-pin, MC 1.5/6 ST-3.81		

